

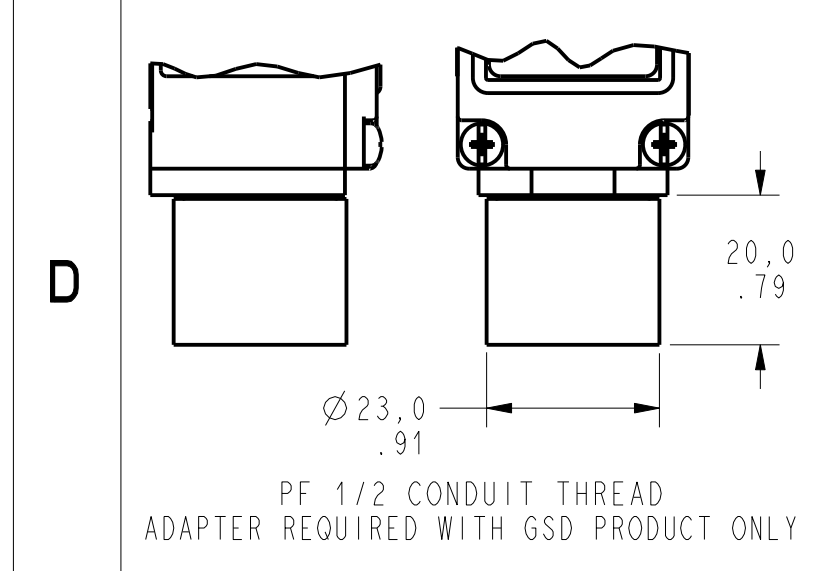
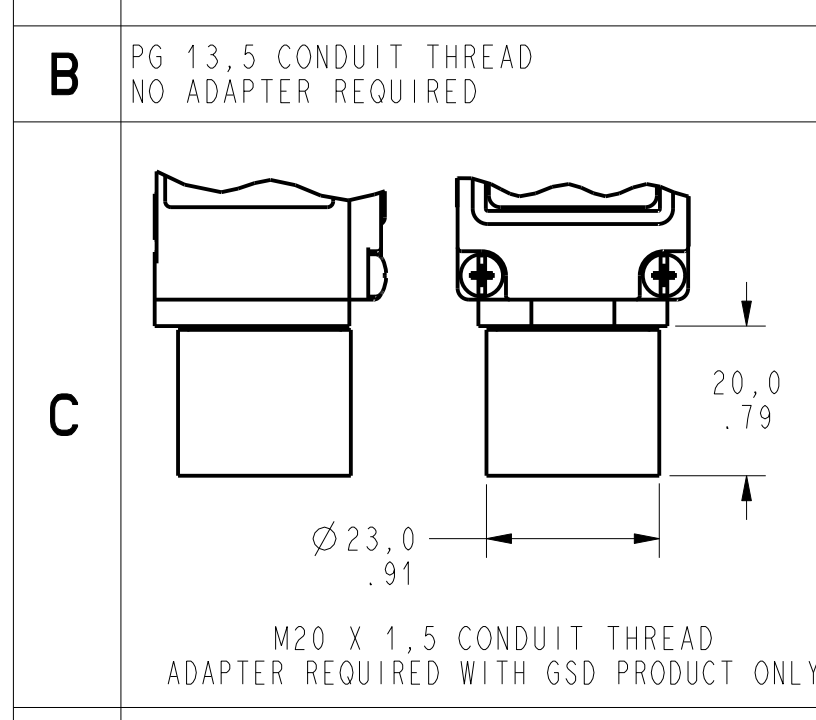
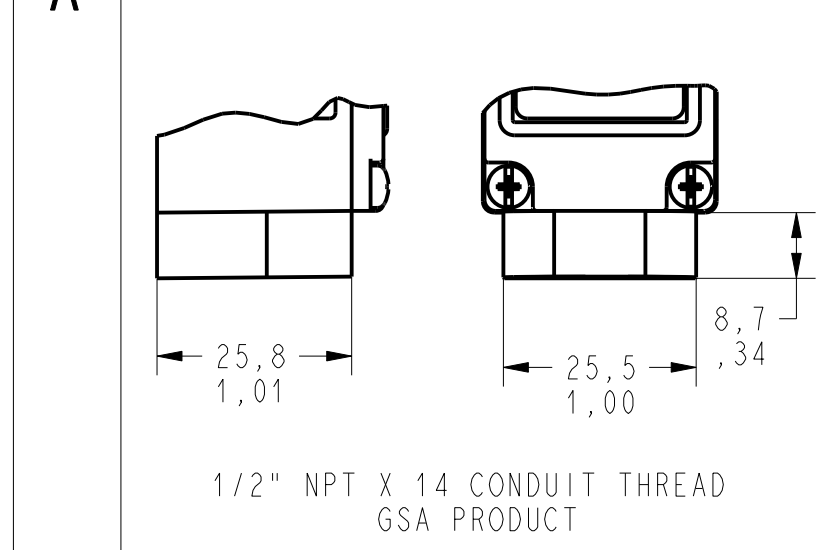
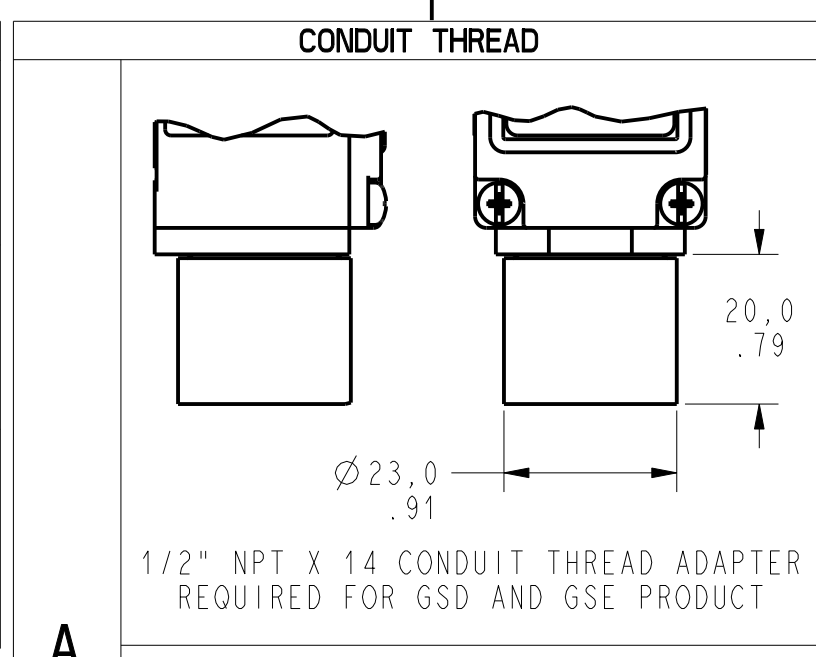
GS S

BODY CODE

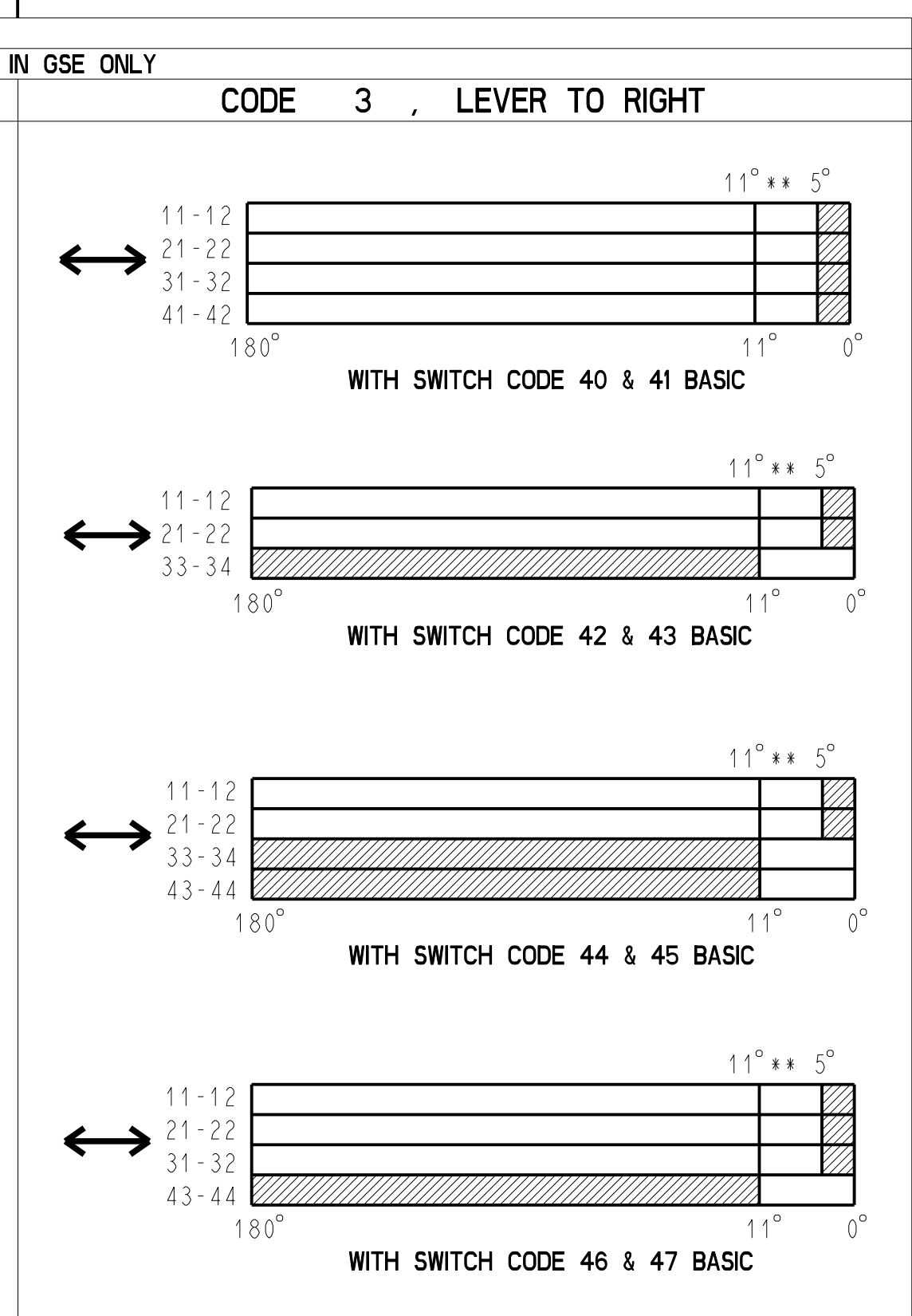
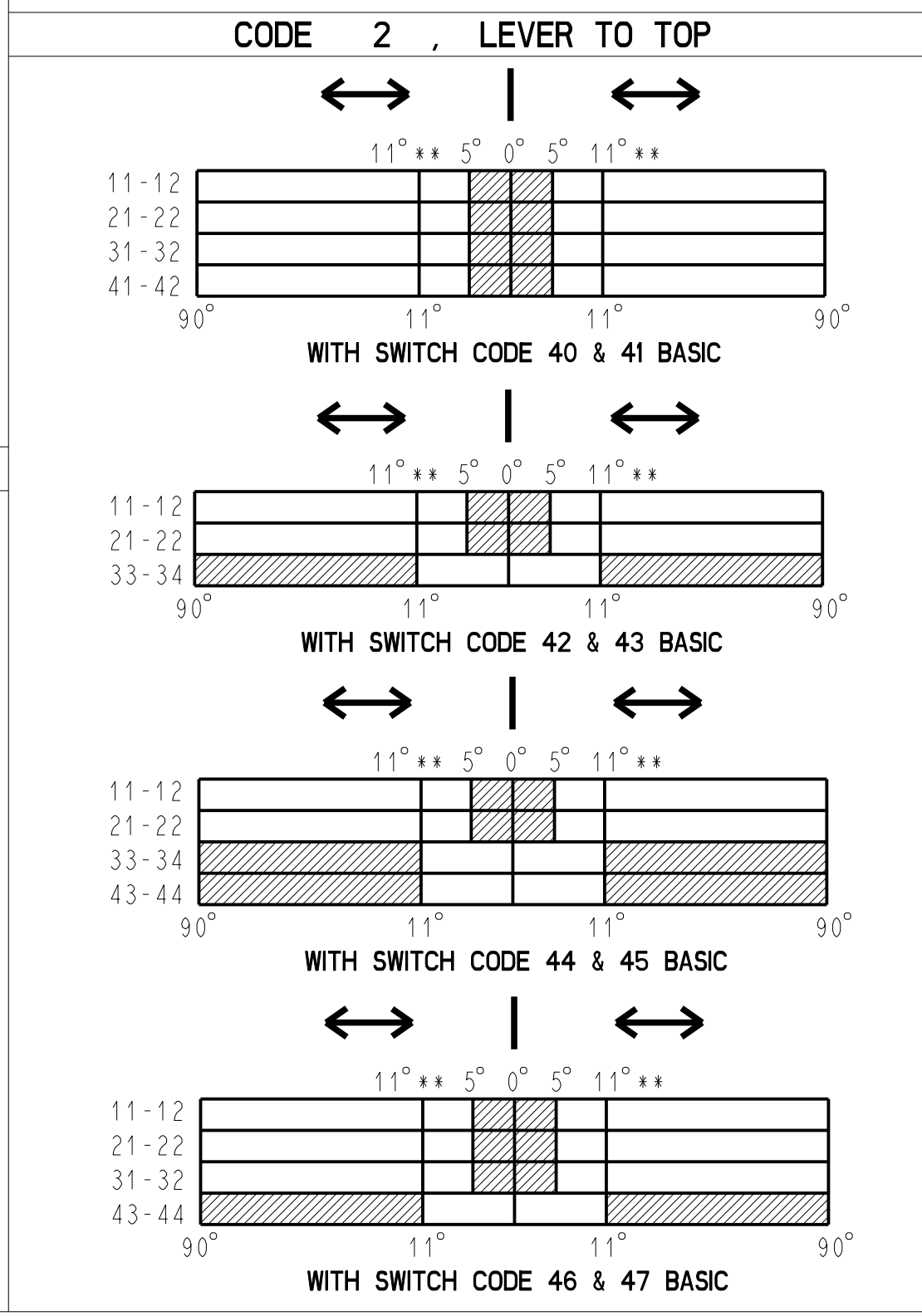
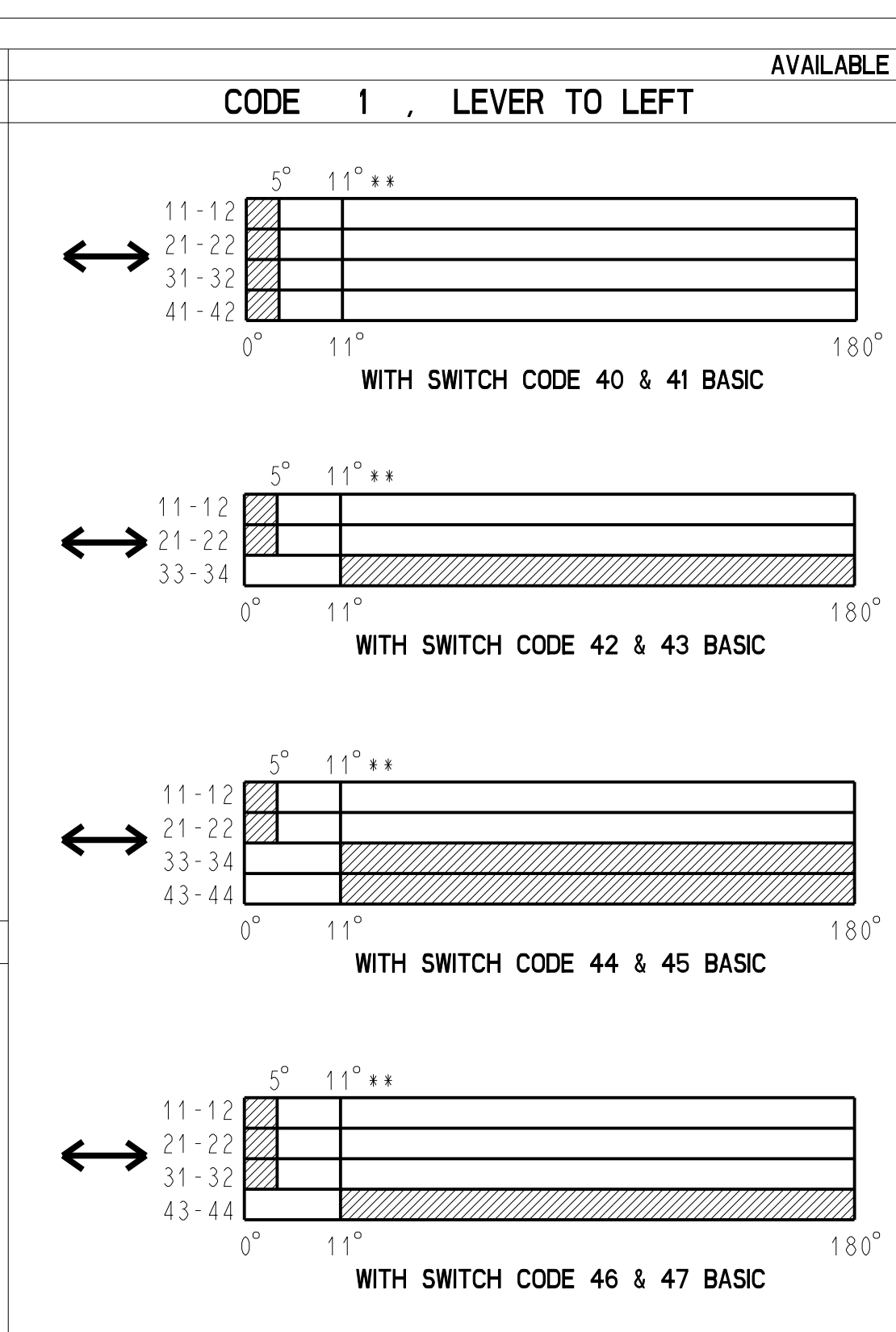
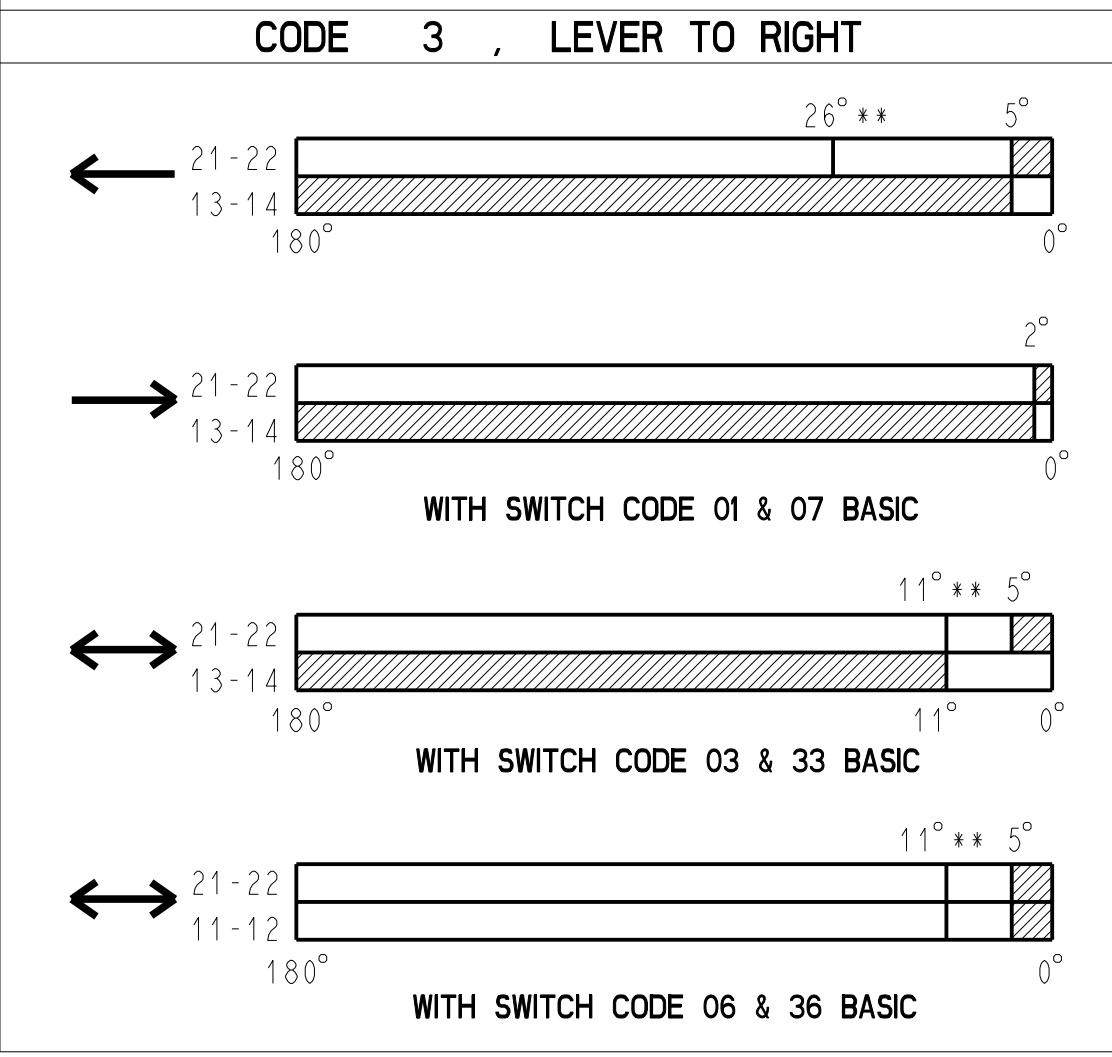
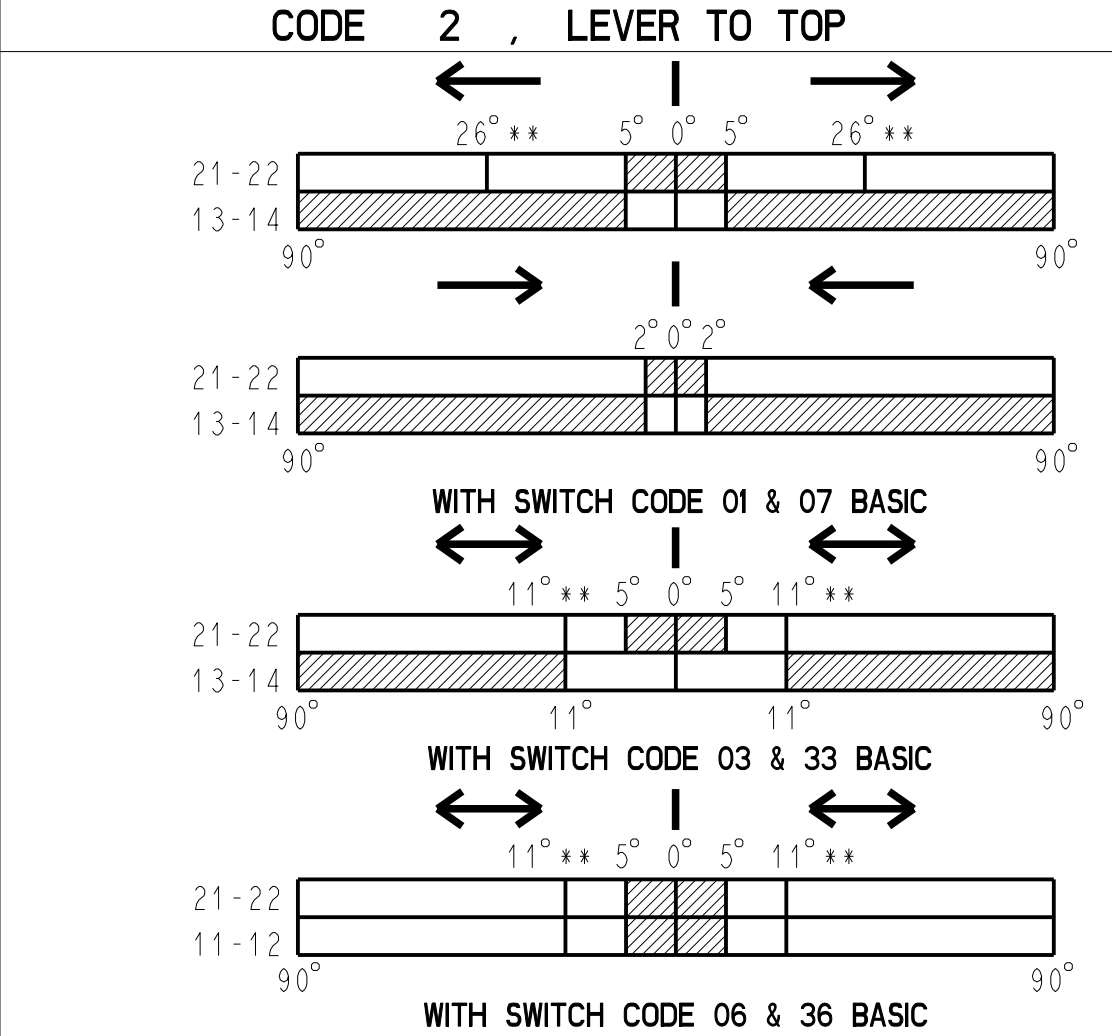
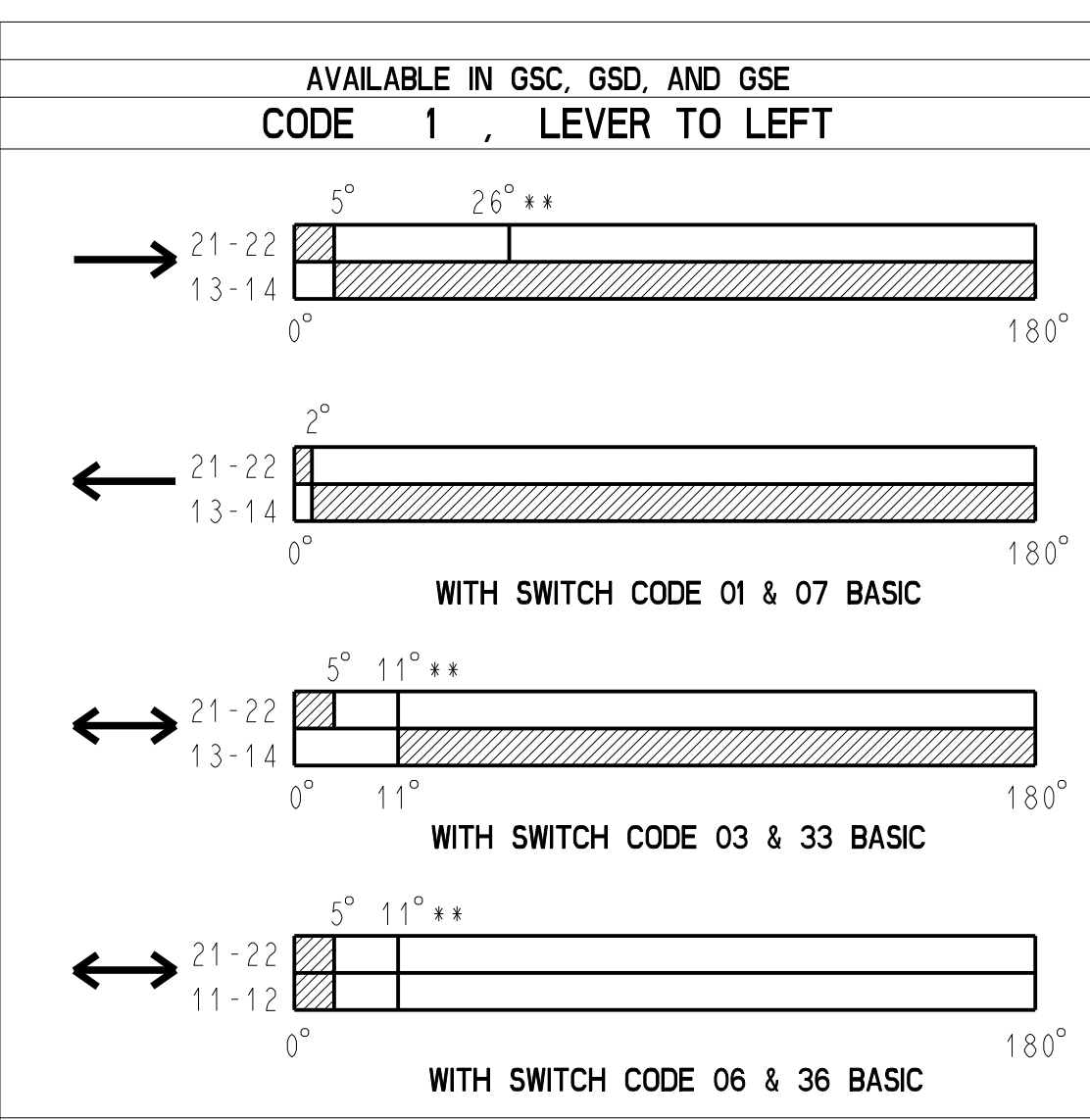
C ZINC DIECAST BODY AND HEAD WITH STEEL COVER, BODY AND COVER FINISHED IN RED EPOXY PAINT HEAD FINISHED IN BLACK EPOXY PAINT

D RED GLASS FILLED POLYESTER HOUSING AND COVER, ZINC DIECAST HEAD FINISHED IN BLACK EPOXY PAINT

E ZINC DIECAST BODY AND HEAD WITH STEEL COVER, BODY AND COVER FINISHED IN RED EPOXY PAINT, HEAD FINISHED IN BLACK EPOXY PAINT 3 - CONDUIT)



AVAILABLE IN GSC, GSD, AND GSE		AVAILABLE IN GSE ONLY	
01 SNAP-ACTION CONTACTS		40 SLOW-ACTION CONTACTS (BREAK BEFORE MAKE)	
07 SNAP-ACTION CONTACTS (GOLD PLATED CONTACTS)		41 SLOW-ACTION CONTACTS (BREAK BEFORE MAKE) (GOLD PLATED CONTACTS)	
03 SLOW-ACTION CONTACTS (BREAK BEFORE MAKE)		2Y, 1X	
33 SLOW-ACTION CONTACTS (BREAK BEFORE MAKE) (GOLD PLATED CONTACTS)		42 SLOW-ACTION CONTACTS (BREAK BEFORE MAKE)	
06 SLOW-ACTION CONTACTS (2 NORMALLY CLOSED)		43 SLOW-ACTION CONTACTS (BREAK BEFORE MAKE) (GOLD PLATED CONTACTS)	
36 SLOW-ACTION CONTACTS (2 NORMALLY CLOSED) (GOLD PLATED CONTACTS)		2Y, 2X	
44 SLOW-ACTION CONTACTS (BREAK BEFORE MAKE)		45 SLOW-ACTION CONTACTS (BREAK BEFORE MAKE) (GOLD PLATED CONTACTS)	
46 SLOW-ACTION CONTACTS (BREAK BEFORE MAKE)		3Y, 1X	
47 SLOW-ACTION CONTACTS (BREAK BEFORE MAKE) (GOLD PLATED CONTACTS)			



CONTACT CLOSED
 CONTACT OPEN
 ** POSITIVE OPENING TO IEC 947-5-1

NOTES
 1 - MAXIMUM OPERATING TORQUE - .12 NM/ .1.1 in-lbs
 MAXIMUM DISCONNECT TORQUE - .16 NM/ 1.5 in-lbs
 MAXIMUM TIGHTENING TORQUE FOR FIXING SCREW - 0.5Nm/4.4in-lbs

ELECTRICAL RATING - Ith = 10A				ENVIRONMENTAL	APPROVALS
SILVER CONTACTS			GOLD PLATED CONTACTS		
AC FOR SWITCH CODES 01, 07, 03, 33	AC FOR SWITCH CODES 06, 36	AC FOR SWITCH CODES 40, 41, 42, 43, 44, 45, 46, 47	DC	IP66 NEMA 1, 4, 12, 13 TEMP RANGE: -40°C TO +85°C -40°F TO +185°F STORAGE: -40°C TO +85°C -40°F TO +185°F SHOCK: 50G PER IEC 68-2-27 VIBRATION: 100G PER IEC 68-2-6	 IEC 947-5-1 EN50047
A600 AC15 Ue Ie	A500 AC15 Ue Ie	A300 AC15 Ue Ie	Q300 DC13 Ue Ie		
VOLTS AMPS 120 6 240 3 380 1.9 480 1.5 500 1.4 600 1.2	VOLTS AMPS 120 6 240 3 380 1.9 480 1.5 500 1.4	VOLTS AMPS 120 6 240 3	VOLTS AMPS 125 0.55 250 0.27		
1V 10uA MIN 50V 100mA MAX					

PTC/CAD
 S. A. V. 180C199
 12
 1 OF 2
 PR-24250
 28 MAY 04
 28 MAY 04

