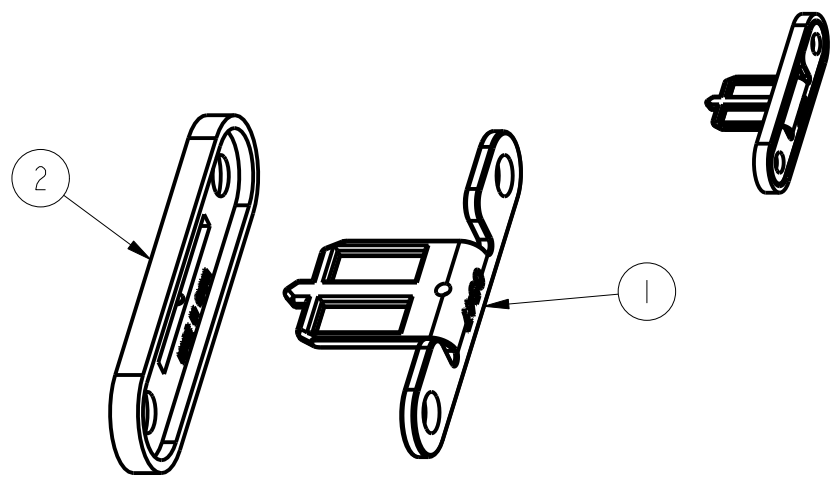
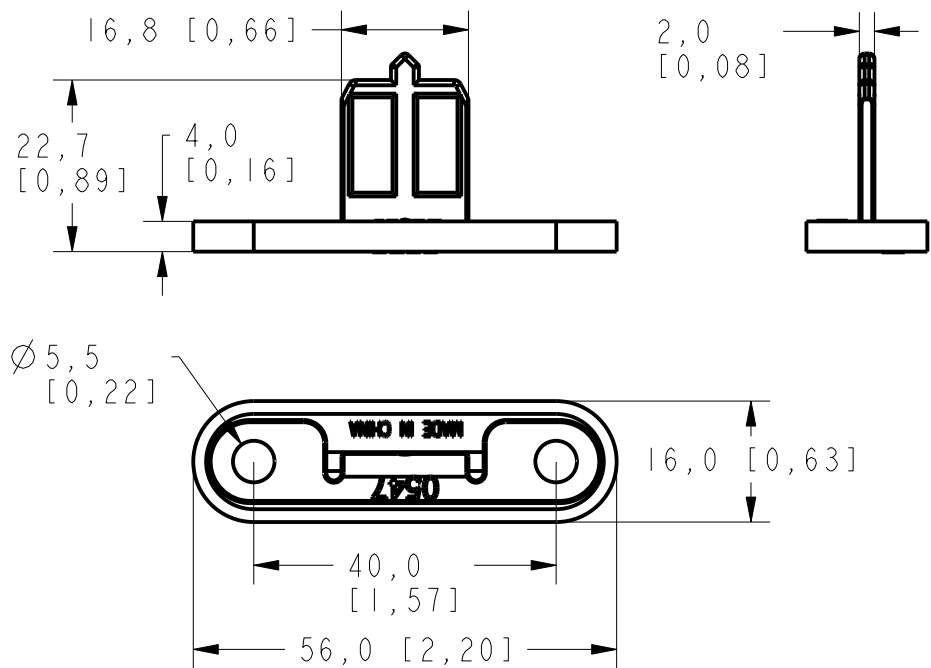


HONEYWELL
PART NUMBER
GKZS7

REV	CHANGE DOCUMENT	CHANGED BY	CHECK
A	0023558	KRB 10AUG06	RJ



NOTES

1. NOMENCLAURE : GKZS7
2. 90 DEG. KEY FOR GKS SERIES
3. MIN. ACTUATING RADIUS : R 160.0 [6.30]

2	BASE, PLASTIC	50005403	1
1	ACTUATOR, INTERLOCK (90DEG)	50009793	1
No	DESCRIPTION	DWG No.	Q'ty

DESIGN UNITS: MM
TOLERANCES UNLESS NOTED:

NO PLACE	X	±	-
ONE PLACE	.X	±	0,4
TWO PLACE	.XX	±	0,15
THREE PLACE	.XXX	±	0,005
FOUR PLACE	.XXXX	±	-
ANGLES	X	±	-

DRAWN	JAEHO LEE	26 JUL 06
CHECK	RJ	26 JUL 06

THIS DRAWING COVERS A PROPRIETARY ITEM AND IS THE PROPERTY OF HONEYWELL. THIS DRAWING IS NOT TO BE COPIED OR USED WITHOUT THE PERMISSION OF HONEYWELL.

INTERPRET PER ASME Y14.5M-1994 OTHER HONEYWELL ENGINEERING STANDARDS MAY APPLY

Pro/ENGINEER 3D

Honeywell

TITLE **ACTUATOR ASSEMBLY, (90 DEGREES)**

SIZE	TYPE	DRAWING NAME	REV
A4	E	GKZS7	A
SCALE	1:1	SHEET	1 OF 1

