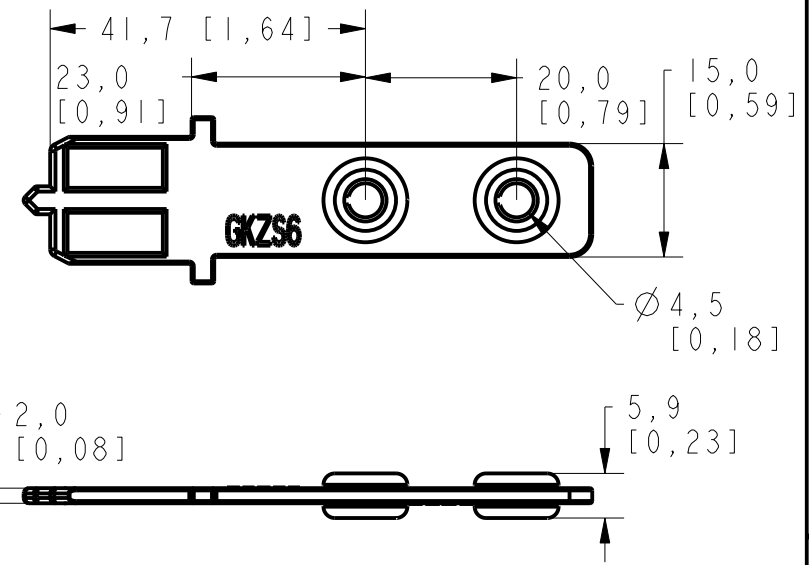
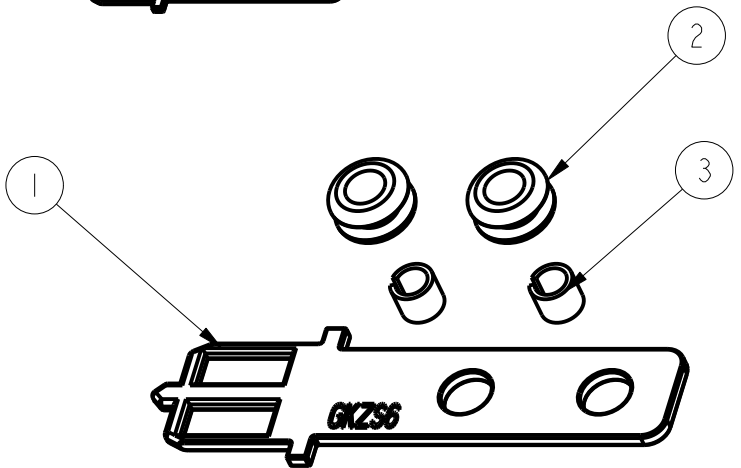


HONEYWELL  
PART NUMBER  
GKZS6

REV	CHANGE DOCUMENT	CHANGED BY	CHECK
A	0023558	KRB 10AUG06	RJ



NOTES

1. NOMENCLAURE : GKZS6
2. STRAIGHT KEY FOR GKS SERIES
3. MIN. ACTUATING RADIUS : R 160.0 [6.30]

3	SPACER, SLEEVE	50005400	2
2	GROMMET	50005399	2
1	ACTUATOR, INTERLOCK (STRAIGHT)	50009791	1
No	DESCRIPTION	DWG No.	Q'ty

DESIGN UNITS: MM  
TOLERANCES UNLESS NOTED:

NO PLACE	X	±	-
ONE PLACE	.X	±	0,4
TWO PLACE	.XX	±	0,15
THREE PLACE	.XXX	±	0,005
FOUR PLACE	.XXXX	±	-
ANGLES	X	±	-

DRAWN	JAEHO LEE	26 JUL 06
CHECK	RJ	26 JUL 06

THIS DRAWING COVERS A PROPRIETARY ITEM AND IS THE PROPERTY OF HONEYWELL. THIS DRAWING IS NOT TO BE COPIED OR USED WITHOUT THE PERMISSION OF HONEYWELL.

INTERPRET PER ASME Y14.5M-1994  
OTHER HONEYWELL ENGINEERING STANDARDS MAY APPLY

Pro/ENGINEER 3D

**Honeywell**

**ACTUATOR ASSEMBLY, (MULTI-DIRECTIONAL)**

SIZE	TYPE	DRAWING NAME	REV
<b>A4</b>	<b>E</b>	<b>GKZS6</b>	<b>A</b>

SCALE 1:1 SHEET 1 OF 1

