

REV	CHANGE DOCUMENT	CHANGED BY	CHECK
A	0026192	KSR 17NOV06	RJ

**G K S**   **C**   **21**   **L**   **A**   **2**   **L**

CONDUIT	
A	1/2 NPT
C	M20

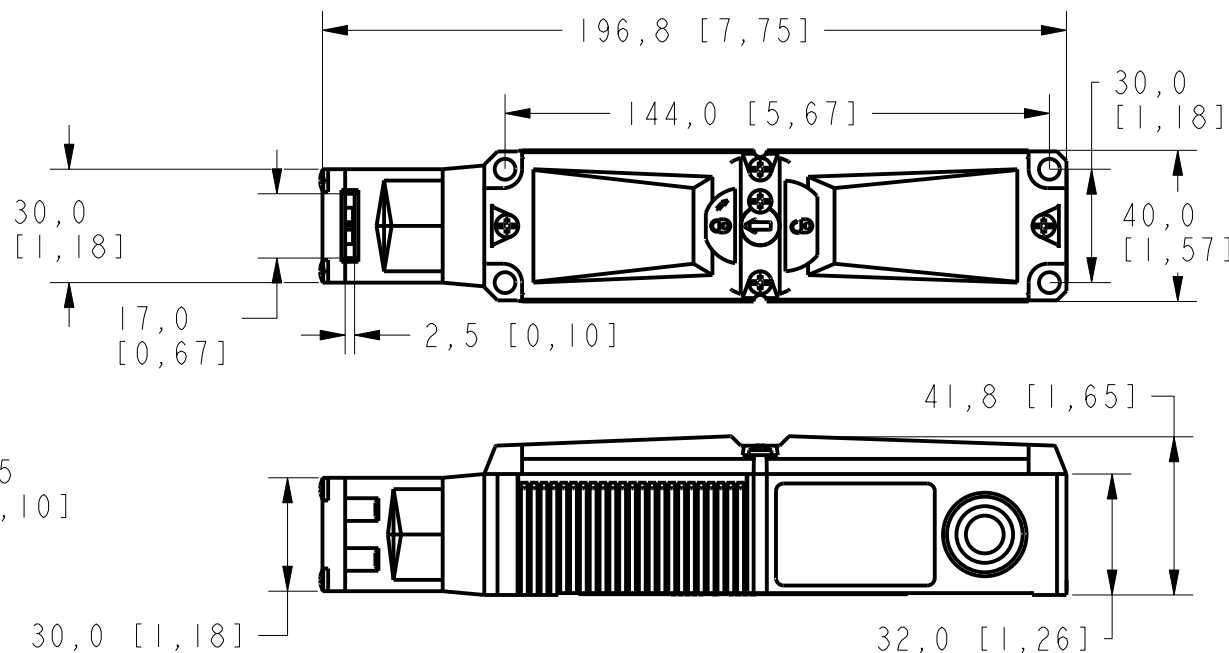
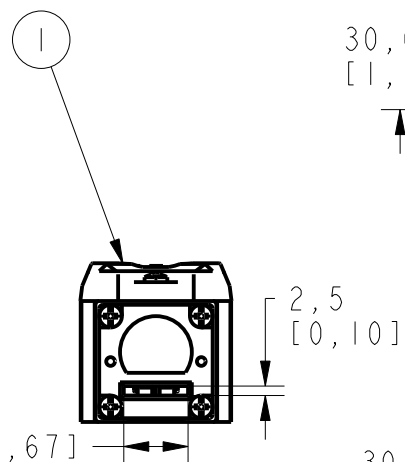
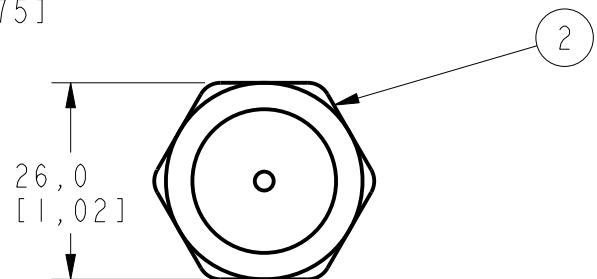
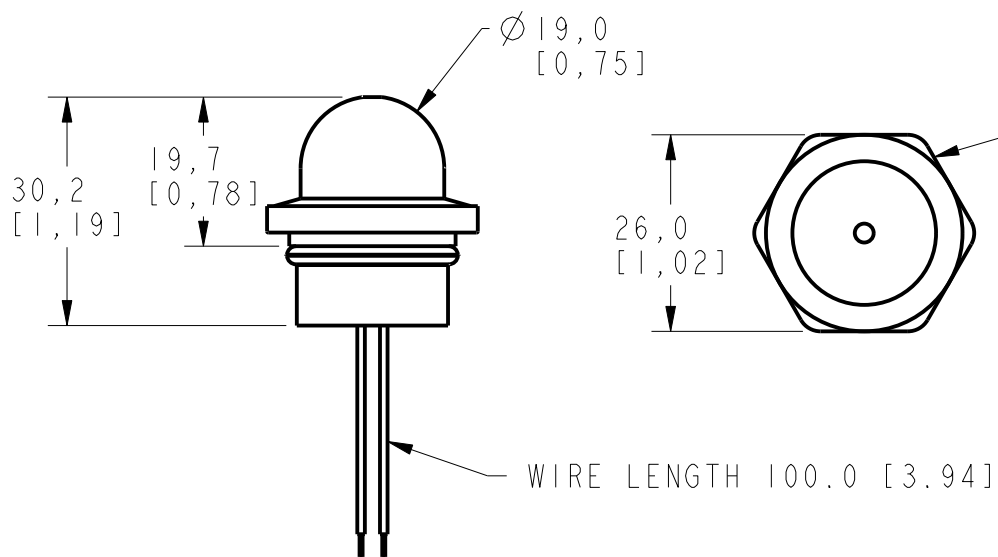
CONTACTS	
21	2NC/1NO/1NO
22	2NC/1NO/1NC
46	3NC/1NO
47	3NC/1NC

HEAD ORIENTATION	
L	FRONT
N	BACK
P	LEFT
M	RIGHT

LOCKING PRINCIPAL	
A	POWER TO UNLOCK
S	POWER TO LOCK

SOLENOID VOLTAGE	
2	24 VAC/DC
5	110VAC
6	230VAC

ADDITIONAL FUNCTION	
L	LED



NOTES

1. LED ASSY SHOULD BE PACKED TOGETHER IN INDIVIDUAL VINYL BAG FOR LED TYPE OF GKS SERIES.

DESIGN UNITS: MM		
TOLERANCES UNLESS NOTED:		
NO PLACE	X	± 0,4
ONE PLACE	.X	± 0,15
TWO PLACE	.XX	± 0,150
THREE PLACE	.XXX	±
FOUR PLACE	.XXXX	±
ANGLES	X	±
THIRD ANGLE PROJECTION		

DRAWN	JAEHO LEE	17 NOV 06
CHECK	RJ	17 NOV 06
THIS DRAWING COVERS A PROPRIETARY ITEM AND IS THE PROPERTY OF HONEYWELL. THIS DRAWING IS NOT TO BE COPIED OR USED WITHOUT THE PERMISSION OF HONEYWELL.		
INTERPRET PER ASME Y14.5M-1994 OTHER HONEYWELL ENGINEERING STANDARDS MAY APPLY		
Pro/ENGINEER 3D		

<b>Honeywell</b>			
TITLE <b>SAFETY SWITCH, MINIATURE SOLENOID LED</b>			
SIZE	TYPE	DRAWING NAME	REV
<b>A3</b>	<b>E</b>	<b>50009786</b>	<b>A</b>
SCALE	-	SHEET	1 OF 1

2	LED ASSY	50009781
1	GKS SWITCH	50009724
NO.	DESCRIPTION	DWG NO.