

HONEYWELL  
PART NUMBER  
50017783-001

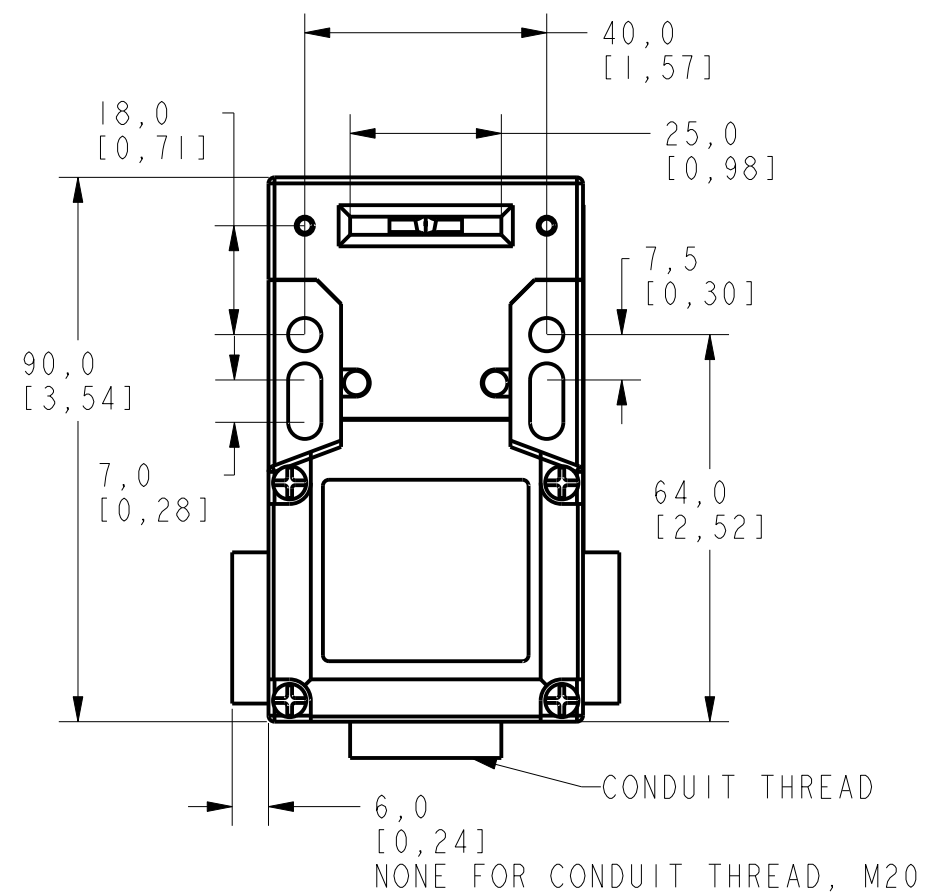
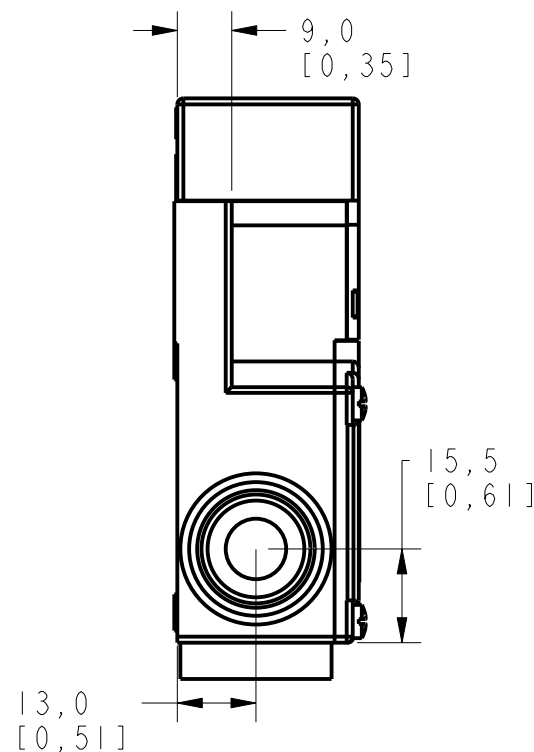
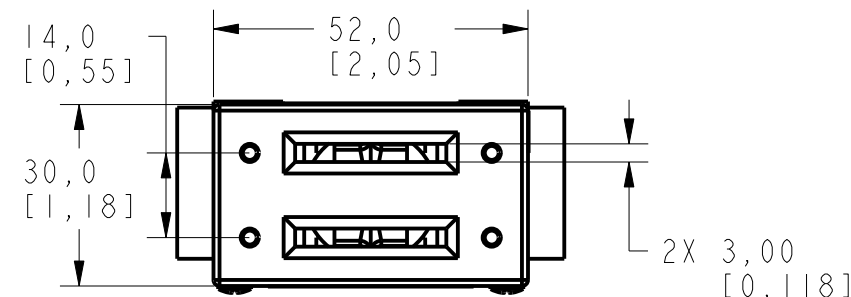
REV	CHANGE DOCUMENT	CHANGED BY	CHECK
B	0023941	KRB 09AUG06	RJ

**G K N A**

**21**

CONDUIT	
A	1/2 NPT
C	M20

CONTACTS	
21	2NC/1NO (BBM)
30	3NC



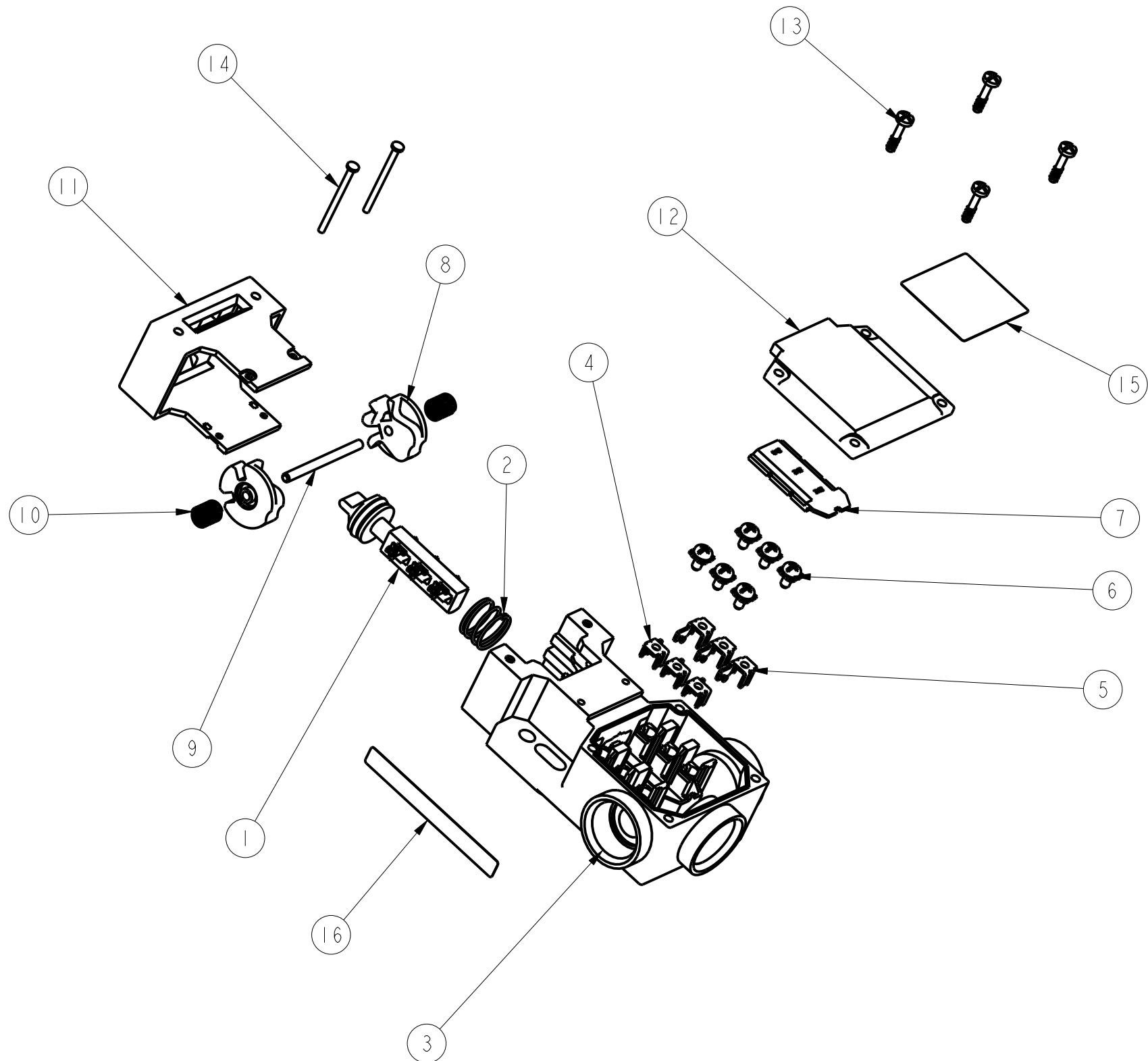
ENVIRONMENTAL	
IP67, NEMA 1, 4, 12, 13	
TEMP. RANGE : -25°C ~ 70°C -13°F ~ 158°F	
STORAGE : -40°C ~ 85°C -40°F ~ 185°F	
SHOCK : 50G PER IEC 68-2-27	
VIBRATION : 10G PER IEC 68-2-6	

ELECTRICAL RATINGS			
AC		DC	
A600	AC15	Q300	DC13
Ue	Ie	Ue	Ie
(VOLTS)	(AMPS)	(VOLTS)	(AMPS)
120	6	125	0.55
240	3	250	0.27
600	1.2		

DESIGN UNITS: MM		
TOLERANCES UNLESS NOTED:		
NO PLACE	X	± 1
ONE PLACE	.X	± 0,4
TWO PLACE	.XX	± 0,15
THREE PLACE	.XXX	± 0,005
FOUR PLACE	.XXXX	± 0,0050
ANGLES	X	± 3
THIRD ANGLE PROJECTION		

DRAWN	JAEHO LEE	23 MAY 06
CHECK	RJ	23 MAY 06
THIS DRAWING COVERS A PROPRIETARY ITEM AND IS THE PROPERTY OF HONEYWELL. THIS DRAWING IS NOT TO BE COPIED OR USED WITHOUT THE PERMISSION OF HONEYWELL.		
INTERPRET PER ASME Y14.5M-1994 OTHER HONEYWELL ENGINEERING STANDARDS MAY APPLY		
Pro/ENGINEER	3D	

<b>Honeywell</b>			
TITLE <b>SAFETY SWITCH, 3 CONTACT DOOR INTERLOCK</b>			
SIZE	TYPE	DRAWING NAME	REV
<b>A3</b>	<b>E</b>	<b>50017783</b>	<b>B</b>
SCALE	1:1	SHEET	1 OF 2



16	NAMEPLATE, FLEXIBLE	50015049	1
15	NAMEPLATE, FLEXIBLE	50015048	1
14	RIVET, SEMI-TUBULAR	50005386	2
13	SCREW, MACHINE THREAD, FILLISTER HEAD, COMBO DRIVE	50005387	4
12	COVER SUBASSEMBLY	50005393	1
11	COVER, PLASTIC	50005382	1
10	SPRING, COMPRESSION	50005383	2
9	SHAFT	50005370	1
8	CAM	50005369	2
7	COVER, SWITCH CASE	50005376	1
6	COMBI-SCREW/CABLE CLAMP ASSY	GL10040	6
5	TERMINAL SUBASSEMBLY (RIGHT)	50005392	3
4	TERMINAL SUBASSEMBLY (LEFT)	50005391	3
3	ENCLOSURE, PLASTIC	50005368	1
2	SPRING, COMPRESSION	50005384	1
1	ACTUATOR SUBASSEMBLY	50005390	1
No	DESCRIPTION	DWG No.	Q'ty

THIS DRAWING COVERS A PROPRIETARY ITEM AND IS THE PROPERTY OF HONEYWELL. THIS DRAWING IS NOT TO BE COPIED OR USED WITHOUT THE PERMISSION OF HONEYWELL.

**Honeywell**

SIZE	TYPE	DRAWING NAME	REV
<b>A3</b>	<b>E</b>	<b>50017783</b>	<b>B</b>
SCALE	1 : 1		SHEET 2 OF 2