

Honeywell

LIMIT SWITCH

GKM  
MTG-GK-207

MTG-GK-207  
REPLACES  
DRAWING NUMBER  
A020-12  
ISSUE 14  
RELEASE NO.

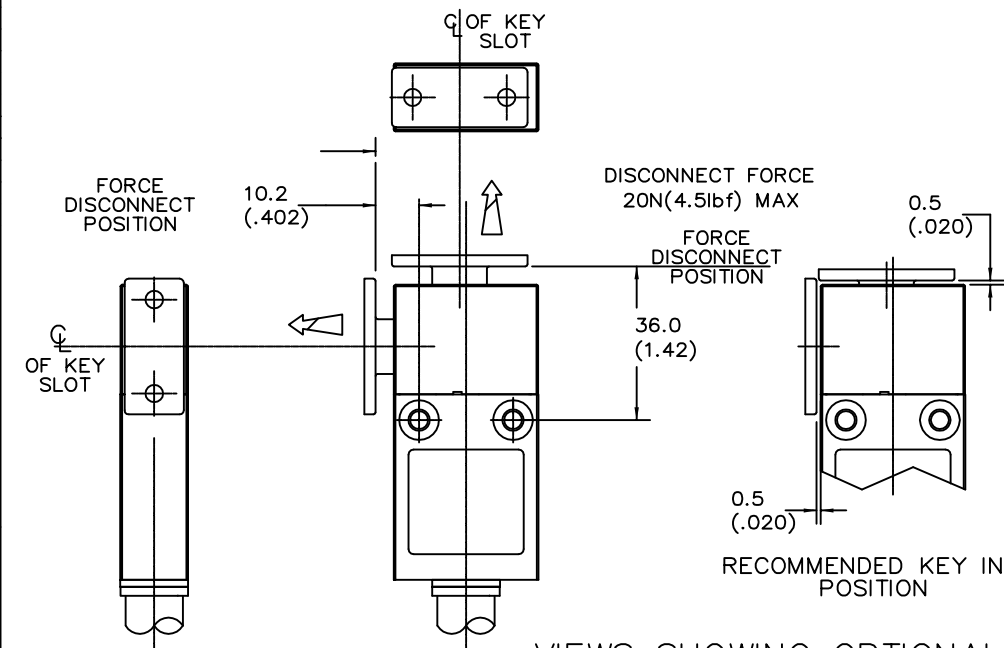
REVISIONS	
2	PR*5
1	WEIR
3	CO*123
J.	BOYD
4	CO*351
J.	BOYD
5	DR*204
I.	WEIR
6	CO*998
I.	WEIR
7	CO*1197
J.	BOYD
8	CO*1629
J.	BOYD
9	PR*1336
M.	LOCH
10	CO*2651
M.	LOCH
11	0015193
KRB	
12	0027801
MST	24JAN07
13	0039389
KRB	03MAY08
14	0047695
VKS	16JAN09

DO NOT PRINT  
SCALE PRINT  
MODIFY ON CAD  
SYSTEM ONLY

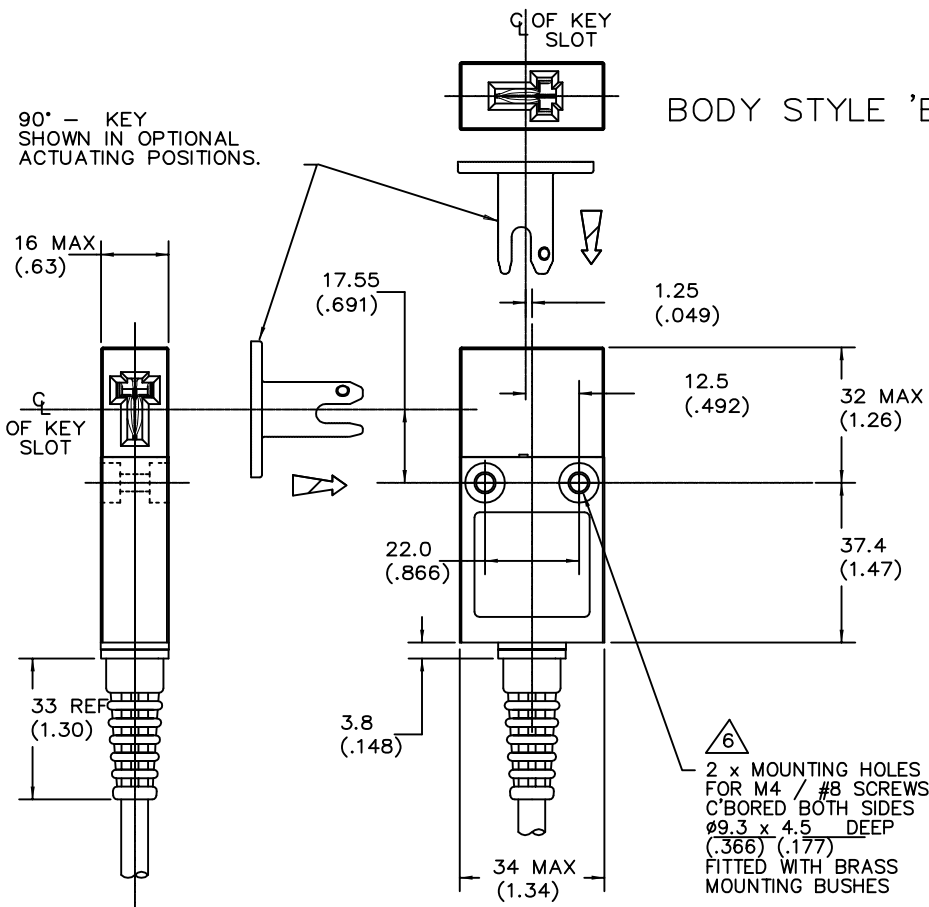
DRAWN	CHECK	DESIGN	AUTHOR	DATE
M. LOCH	J. BOYD	J. BOYD	P. TRICKETT	11/96
J. BOYD	J. BOYD	J. BOYD	J. BOYD	11/96
J. BOYD	J. BOYD	J. BOYD	J. BOYD	11/96

ELECTRICAL RATINGS FOR BODY STYLE A, B, C, D				ELECTRICAL RATINGS FOR BODY STYLE "E"		ENVIRONMENTAL	APPROVALS
STANDARD Ag CONTACTS		Au PLATE CONTACTS		STANDARD Ag CONTACTS	Au PLATED CONTACTS		
AC		DC				IP67 NEMA 1,12,13 TEMP RANGE: -25°C TO 85°C -13°F TO 185°F STORAGE: -40°C TO 85°C -40°F TO 185°F SHOCK: 50G PER IEC 68-2-27 VIBRATION: 10G PER IEC 68-2-6	UL US LISTED EN60947-5-1 S
B300	AC15	Q300	DC13	I <sub>th</sub> = 5A			
U <sub>e</sub>	I <sub>e</sub>	U <sub>e</sub>	I <sub>e</sub>	30VDC, 2A MAX			
120	3	125	0.55	1VDC, 10uA MIN			
240	1.5	250	0.27	I <sub>th</sub> = 2A			
I <sub>th</sub> = 5A		U <sub>i</sub> = 500V		30VDC, 100mA MAX			
U <sub>imp</sub> = 2.5KV		50V 100mA MAX.		I <sub>th</sub> = 2A			

VIEWS SHOWING OPTIONAL KEY POSITIONS



90° - KEY SHOWN IN OPTIONAL ACTUATING POSITIONS.



BODY STYLE 'B'

2 x MOUNTING HOLES FOR M4 / #8 SCREWS C'BORED BOTH SIDES Ø9.3 x 4.5 DEEP (.366) (.177) FITTED WITH BRASS MOUNTING BUSHES

GKM D 0 3

BODY STYLE	
A	SIDE EXIT CABLE
B	BOTTOM EXIT CABLE
C	SIDE EXIT CONNECTOR
D	BOTTOM EXIT CONNECTOR
E	TWIN CONNECTOR

CABLE	
0	NO CABLE
1	CABLE
&	LENGTH (METRES)
3	

SWITCH TYPE	
3	SLOW BBM(1N.C 1N.O)
6	SLOW 2 x N.C.
7	SLOW 2 x N.C. GOLD PLATED CONTACTS
9	SLOW BBM(1N.C 1N.O) GOLD PLATED CONTACTS

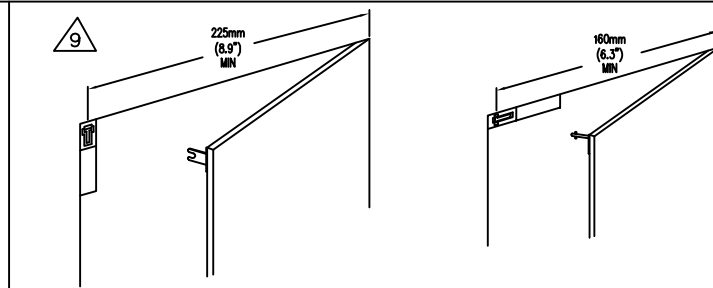
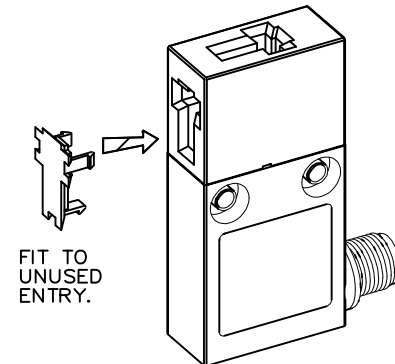


FIGURE "A"

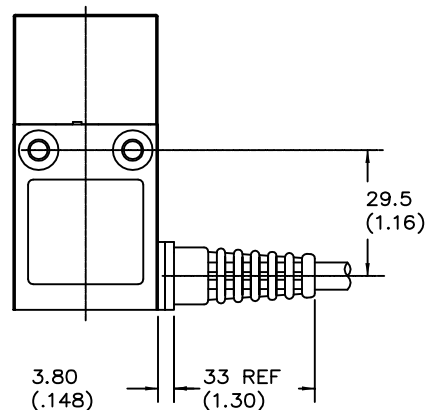
NOTES:-

- RED GLASS FILLED POLYESTER BODY, BLACK GLASS FILLED POLYAMIDE COVER AND STAINLESS STEEL KEY.
- ENCLOSURE DOUBLE INSULATED TO IEC 536 CLASS II.
- CABLE IS UL STYLE 2464, 105°C, 300V. CORES HAVE 105°C RATED PVC OVER 20 AWG (16/0.2MM) BARE COPPER. OUTER SHEATH IS ALSO 105°C RATED PVC AND HAS FINAL O.D. = 6.33±0.2MM.
- STANDARD CONNECTOR TYPE: BRAD-HARRISON 4 PIN MICROCHANGE, DC STYLE, MALE TYPE, WITH EXTERNAL INTERLOCK THREAD (M12). CONNECTORS HAVE BLACK GLASS FILLED POLYESTER BODY.
- MINIMUM OPERATING VELOCITY (V<sub>min</sub>) = 2.0 mm/s (0.08"/s)  
MAXIMUM OPERATING VELOCITY (V<sub>max</sub>) = 200 mm/s (8"/s)  
MAXIMUM OPERATING FREQUENCY (F<sub>max</sub>) = 2 Hz (120 ops/min)
- RECOMMENDED TIGHTENING TORQUE FOR MOUNTING SCREWS = 1 - 1.4 Nm (9 - 12 in.lbs)
- NEW LISTINGS WILL NOT INCLUDE ACTUATOR KEYS WHICH WILL BE SOLD SEPARATELY e.g. GKMC03W1 BECOMES GKMC03 + GKZ51M GKZ51M = STRAIGHT KEY, GKZ52M = 90° KEY. STANDARD CABLE LENGTHS WILL NOW BE 1 & 3 METRES ONLY.
- FOR KEYWAY POSITION REFERENCE BODY STYLE "E"
- FOR MINIMUM DOOR RADIUS: SEE FIGURE "A"
- "S" MARK APPROVALS APPLIES ONLY TO BODY STYLES "A", "B", "C" AND "D".

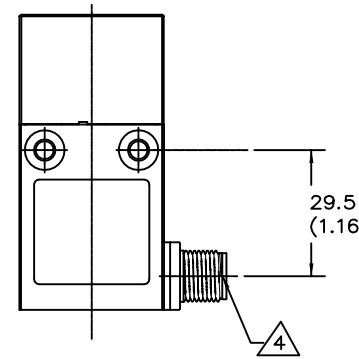
SLOT DUST COVER



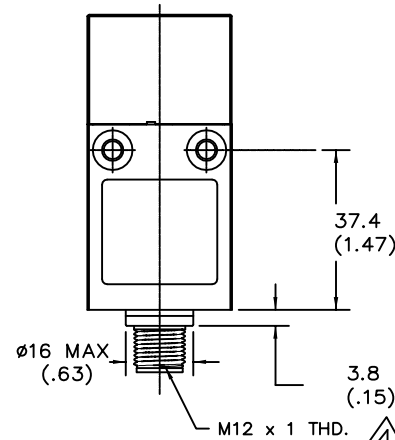
BODY STYLE 'A'



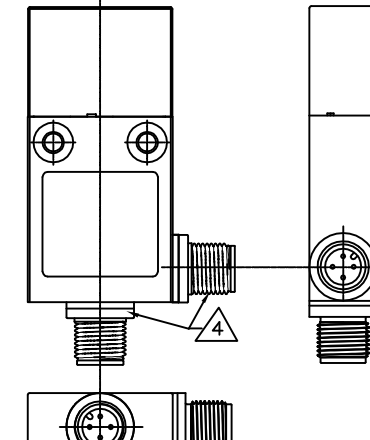
BODY STYLE 'C'



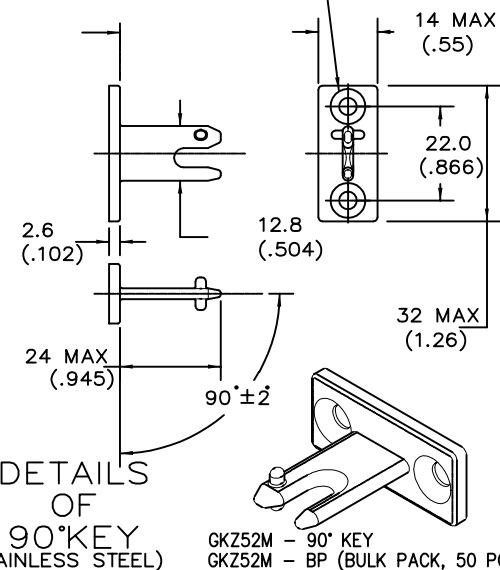
BODY STYLE 'D'



BODY STYLE 'E'

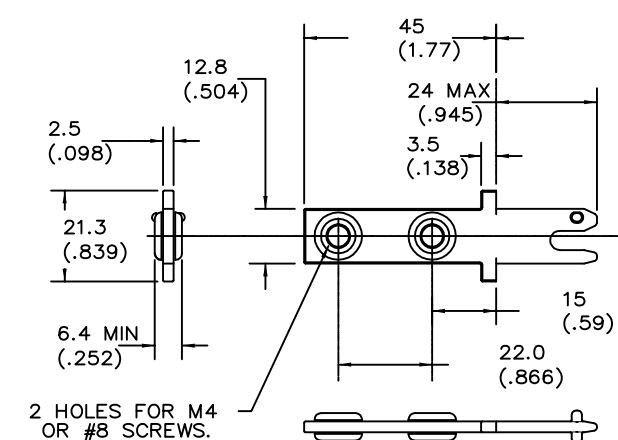


2 x HOLES FOR M4 OR #8 SCREWS WITH 45° C'SK X 2.1 DEEP (.083)



DETAILS OF 90° KEY (STAINLESS STEEL)

GKZ52M - 90° KEY  
GKZ52M - BP (BULK PACK, 50 PCS)

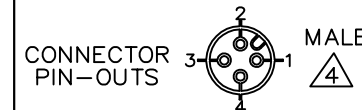


DETAILS OF STRAIGHT KEY (STAINLESS STEEL)

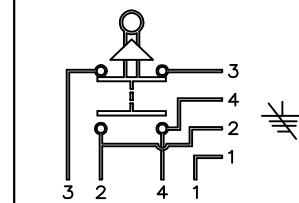
GKZ51M - STRAIGHT KEY  
GKZ51M - BP (BULK PACK, 50 PCS)

SWITCH DIAGRAMS

N.B. SWITCHES SHOWN IN KEY-IN POSITION.



SWITCH TYPES 3 & 9



SWITCH TYPES 6 & 7

