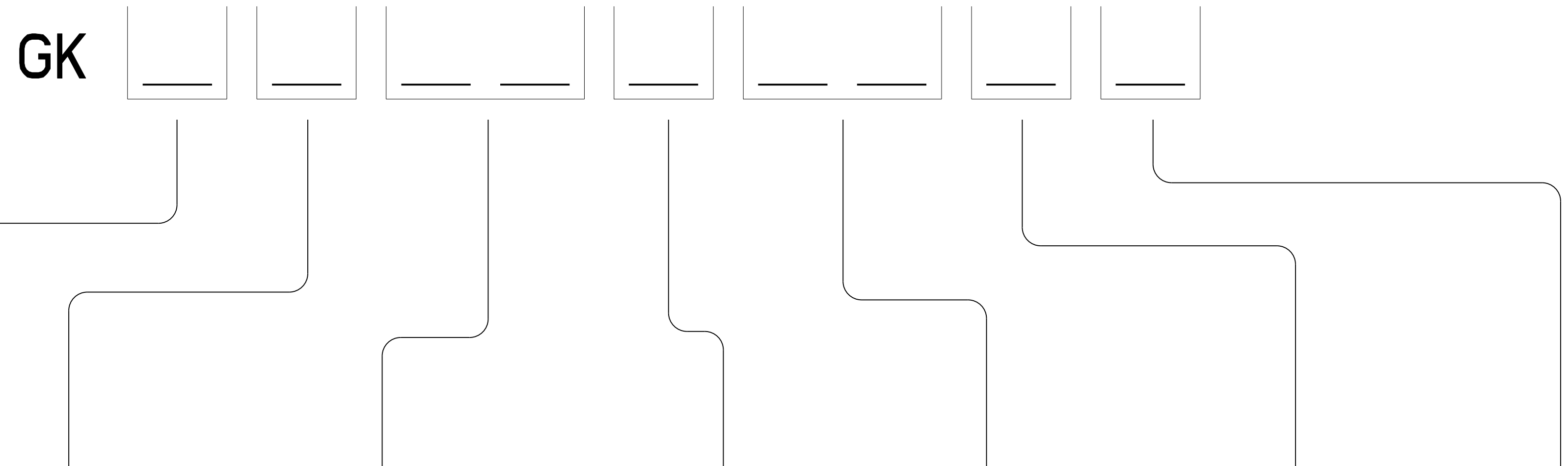


DUAL ENTRY SOLENOID KEY OPERATED SAFETY INTERLOCK NOMENCLATURE



BODY / INDICATOR		CONDUIT / SEAL		△ BASIC 11		HEAD		KEY		TYPE / OVER-RIDE		SOLENOID VOLTAGE	
L	HEAD TO LEFT - WITH INDICATORS	A	1/2 NPT - VITON SEALS	2	2 SNAP ACTION DPDT	L	OPENING TO FRONT AND TOP	6	STRAIGHT	A	SOLENOID UNLOCK WITH SCREWDRIVER	1	12 VDC
R	HEAD TO RIGHT - WITH INDICATORS	B	PG 13.5 - VITON SEALS	3	2 SLOW ACTING SPDT BBM	M	OPENING TO RIGHT AND TOP	7	90 DEGREE		SLOT OVER-RIDE	2	24 VDC
F	HEAD TO LEFT - WITHOUT INDICATORS	C	20 MM - VITON SEALS	6	SLOW ACTING 2 NC	N	OPENING TO BACK AND TOP	8	UP - DOWN, SPRING LOADED	B	SOLENOID UNLOCK WITHOUT OVER-RIDE	3	48 VDC
G	HEAD TO RIGHT - WITHOUT INDICATORS	D	PF 1/2 - VITON SEALS	10	SLOW ACTING 4 NC	P	OPENING TO LEFT AND TOP	9	SIDE - SIDE, SPRING LOADED	S	SOLENOID LOCK WITH SCREWDRIVER	4	120 VAC
		E	1/2 NPT - BUNA-N SEALS	12	SLOW ACTING 2 NC - 1 NO BBM			X	NO KEY	T	SOLENOID LOCK WITHOUT OVER-RIDE	6	240 VAC
		F	PG 13.5 - BUNA-N SEALS	14	SLOW ACTING 2 NC - 2 NO BBM								
		G	20 MM - BUNA-N SEALS	15	SLOW ACTING 2 NC - 2 NO BBM - GOLD								
		H	PF 1/2 - BUNA-N SEALS	16	SLOW ACTING 3 NC - 1 NO BBM								
				30	2 SLOW ACTING 4 NC - GOLD								
				32	2 SLOW ACTING 2 NC - 1 NO BBM - GOLD								
				34	2 SLOW ACTING 2 NC - 2 NO BBM - GOLD								
				36	2 SLOW ACTING 3 NC - 1 NO BBM - GOLD								
				40	2 SLOW ACTING 4 NC								
				42	2 SLOW ACTING 2 NC - 1 NO BBM								
				44	2 SLOW ACTING 2 NC - 2 NO BBM								
				46	2 SLOW ACTING 3 NC - 1 NO BBM								

NOTES

- 1 - ZINC DIECAST BODY AND HEAD WITH STEEL COVER. BODY, HEAD AND COVER FINISHED WITH EPOXY PAINT
- 2 - PROVIDED WITH PLASTIC SNAP FIT COVER TO PLUG UNUSED KEY ENTRY WINDOW
- 3 - THE LEFT INDICATOR IS GREEN AND THE RIGHT INDICATOR IS RED. NOT PRESENT ON BODY/INDICATOR CODES F OR G
- 4 - MAXIMUM OPERATING FREQUENCY (Fmax) = 100 OPS/MIN
- 5 - INSERTION FORCE = 35 N
8 LB
EXTRACTION FORCE = 28 N
6 LB
MAXIMUM SOLENOID LOCKING FORCE = 1000 N
224 LB
- 6 - ROTATE 1/4 TURN CLOCKWISE TO UNLOCK DEVICES WITH HEAD TO LEFT, SOLENOID UNLOCK AND DEVICES WITH HEAD TO RIGHT, SOLENOID LOCK. ROTATE 1/4 TURN COUNTERCLOCKWISE TO UNLOCK DEVICES WITH HEAD TO LEFT, SOLENOID LOCK AND DEVICES WITH HEAD TO RIGHT, SOLENOID UNLOCK. NOT PRESENT ON TYPE/OVER-RIDE CODES B OR T
- 7 - SWITCH MUST OPERATE BEFORE REACHING MINIMUM INSERTION DISTANCE
- 8 - T-15 TAMPERPROOF TORX DRIVER BIT PROVIDED
- 9 - ELECTRICAL RATINGS ARE FOR BASIC SWITCHES
- 10 - MINIMUM SOLENOID VOLTAGE = 80% DC / 85% AC OF RATED VOLTAGE
MAXIMUM SOLENOID VOLTAGE = 110% OF RATED VOLTAGE
SOLENOID POWER = 12 WATTS NOMINAL
- 11 - SEE PAGES 10, 11, 12 AND 13 FOR CIRCUIT DIAGRAMS
- 12 - NO CHANGES CAN BE MADE TO THIS DRAWING WITHOUT JOINT FREEPORT / NEWHOUSE APPROVAL
- 13 - THE LEFT INDICATOR IS YELLOW AND THE RIGHT INDICATOR IS RED
- 14 - 10-PIN CONNECTOR, BRAD HARRISON PART NO.3R1006AZ1F010 OR EQUIVALENT
- 15 - 4-PIN CONNECTOR, WOODHEAD PART NO.80599-19 OR MOLEX PART NO.08631M21 OR EQUIVALENT
- 16 - 5-PIN CONNECTOR, BRAD HARRISON PART NO.41310 OR EQUIVALENT
- 17 - CONNECTOR INSTALLED IN BOTTOM CONDUIT HOLE
- 18 - CONNECTOR INSTALLED IN SIDE CONDUIT HOLE
- 19 - "S" MARK APPROVAL APPLICABLE ONLY FOR GKLE44XXXX,GKLE46XXXX,GKRE44XXXX AND GKRE46XXXX SERIES ONLY
- 20 -

ELECTRICAL RATING ⁹				ENVIRONMENTAL RATINGS		APPROVALS	
AC	DC			IP68 NEMA 1, 4, 6P, 12 & 13		 IEC 947-5-1 EN60947-5-1 	
A300	AC 15	Q300	DC 13	TEMP RANGE	-25°C TO 40°C		
U _e	I _e	U _e	I _e		-13°F TO 104°F		
(VOLTS)	(AMPS)	(VOLTS)	(AMPS)	STORAGE	-40°C TO 120°C		
120	6	24	2.9		-40°F TO 248°F		
240	3	125	.55	SHOCK: 50G PER IEC 68-2-27			
		250	.27	VIBRATION: 10G PER IEC 68-2-6			
I _{th} = 10 A							

PTC/CAD 3D
 DRAWN
 MAM 23SEP08
 CHECK
 SAV
 11MAY09
 CHECK
 PRC
 04FEB09
 CHECK
 52
 ISSUE
 DRAWING NUMBER
 M GK SERIES CHART 4
 PAGE 1 OF 16
 RELEASE NO. PR-23788
 REVISIONS
 1 (04/18)
 2 (07/09)

THIS DRAWING COVERS A PROPRIETARY ITEM AND IS THE PROPERTY OF MICRO SWITCH, A DIVISION OF HONEYWELL. THIS DRAWING IS NOT TO BE COPIED OR USED WITHOUT THE APPROVAL OF MICRO SWITCH.

FED. MFG. CODE 91929

CATALOG LISTING

MICRO SWITCH
a Honeywell Division

SWITCH - DOOR INTERLOCK

GK SERIES CHART 4

DESIGN UNITS SI METRIC US CUSTOMARY

WEIGHT 1.5 kg / 3.3 LB

THIRD ANGLE PROJECTION

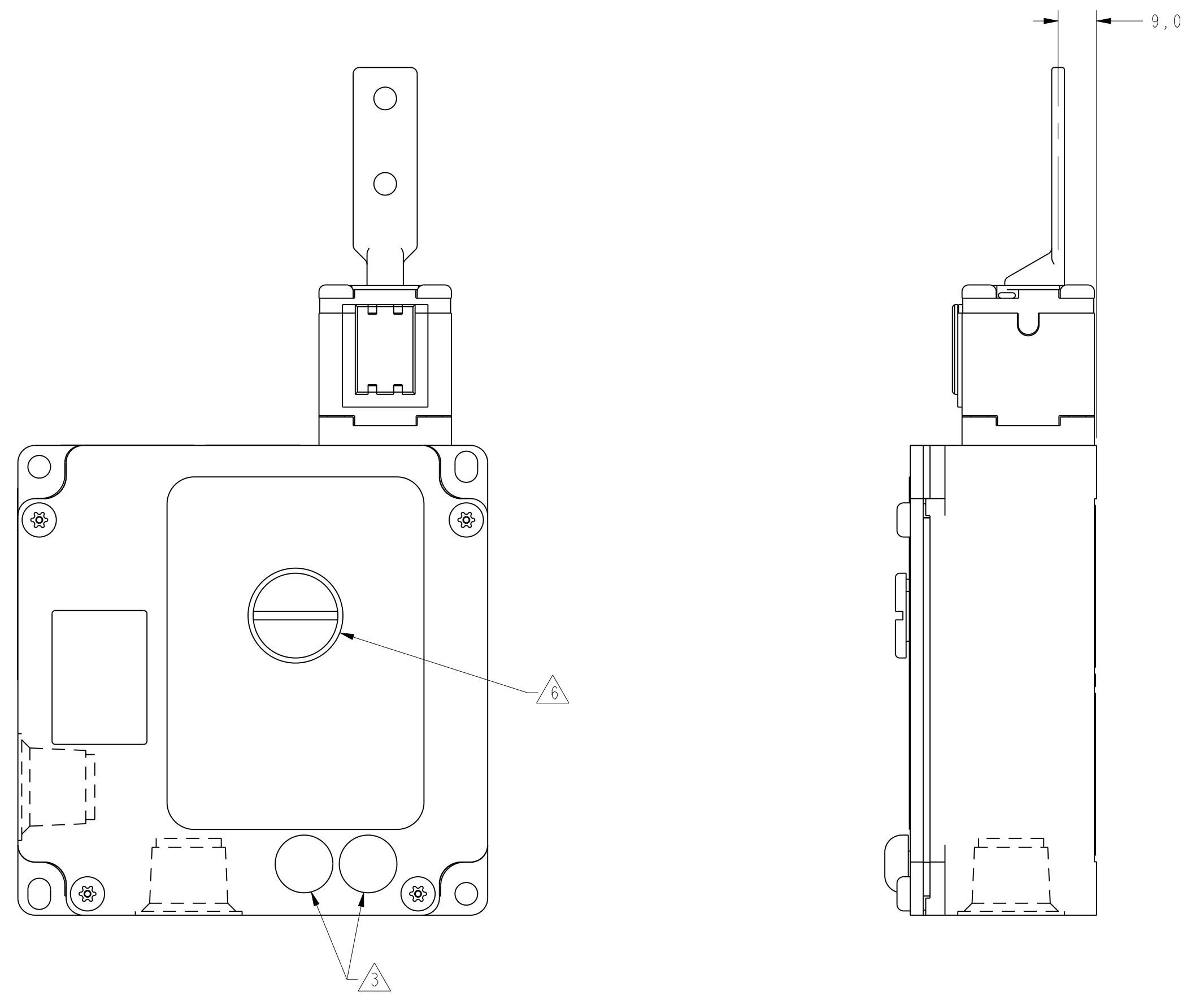
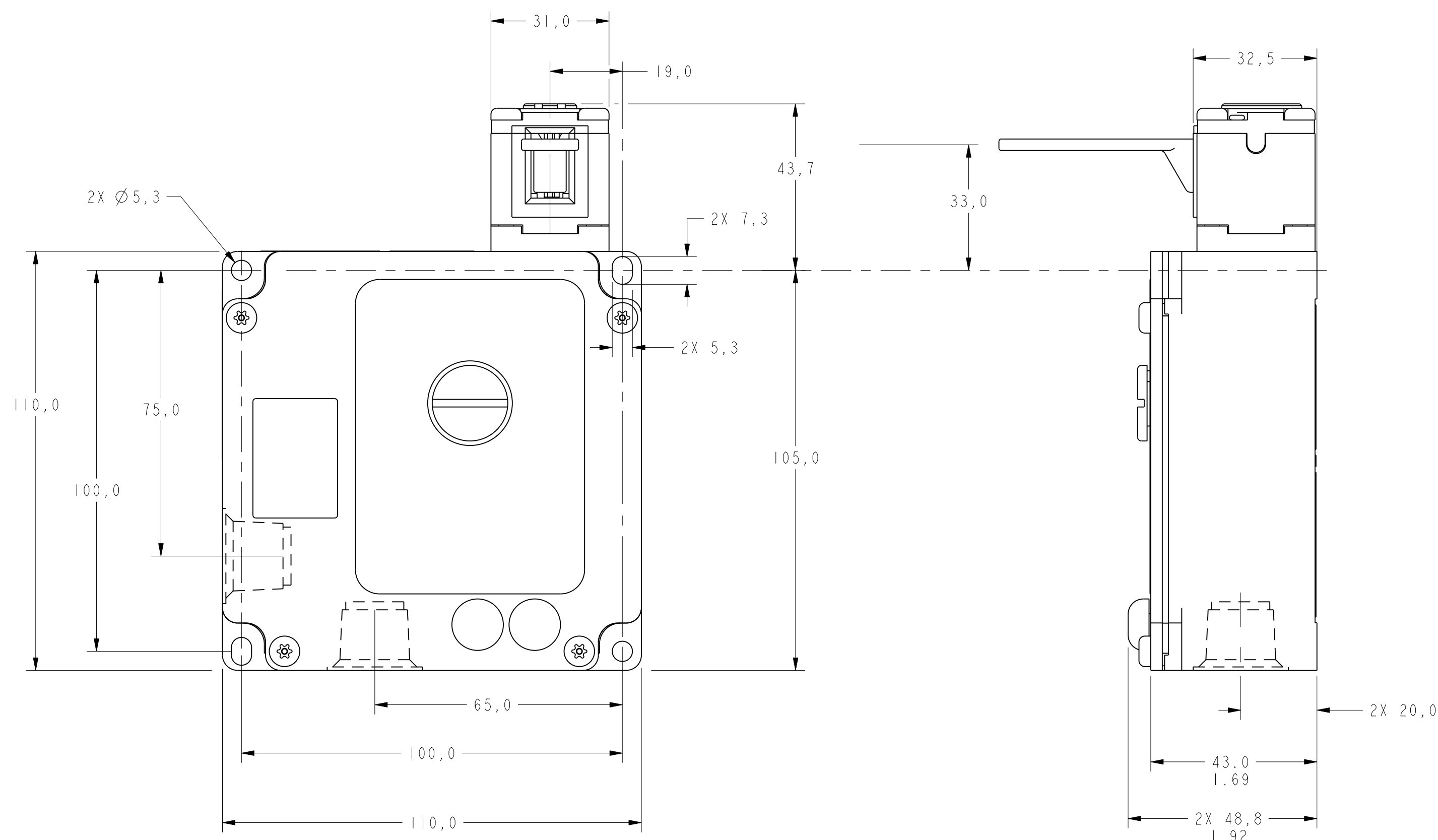
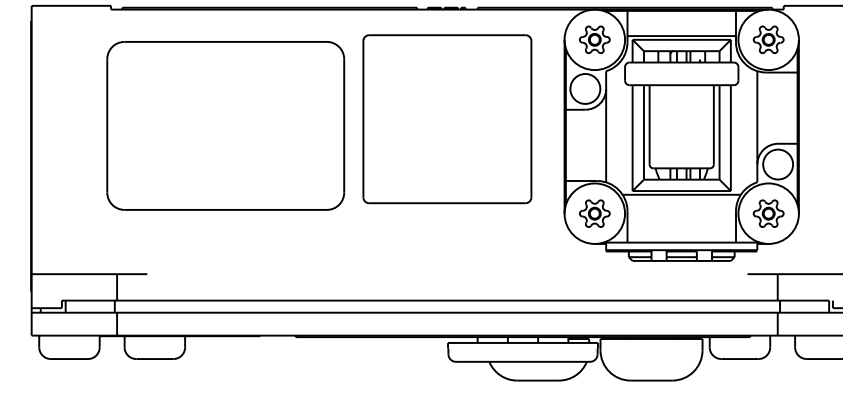
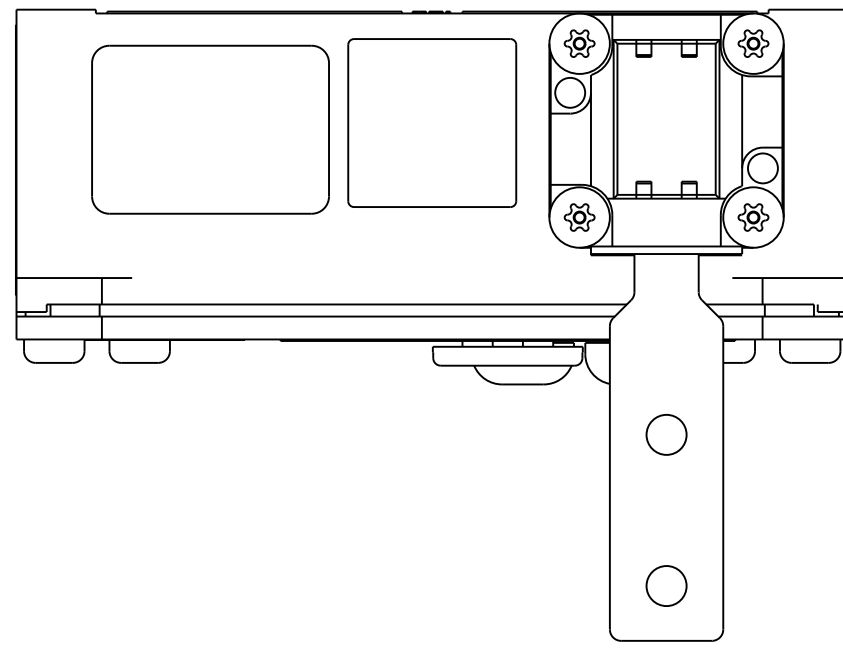
SCALE NTS

DO NOT SCALE PRINT

TOLERANCES

APPLY TO DESIGN UNITS. CONVERSIONS ARE ONLY FOR REFERENCE. UNLESS NOTED, TOLERANCES ARE:

NO PLACES	±.04	±.04	±.04	±.04
TWO PLACES	±.02	±.02	±.02	±.02
THREE PLACES	±.01	±.01	±.01	±.01
ANGLES	±.01	±.01	±.01	±.01



FRONT KEY ENTRY

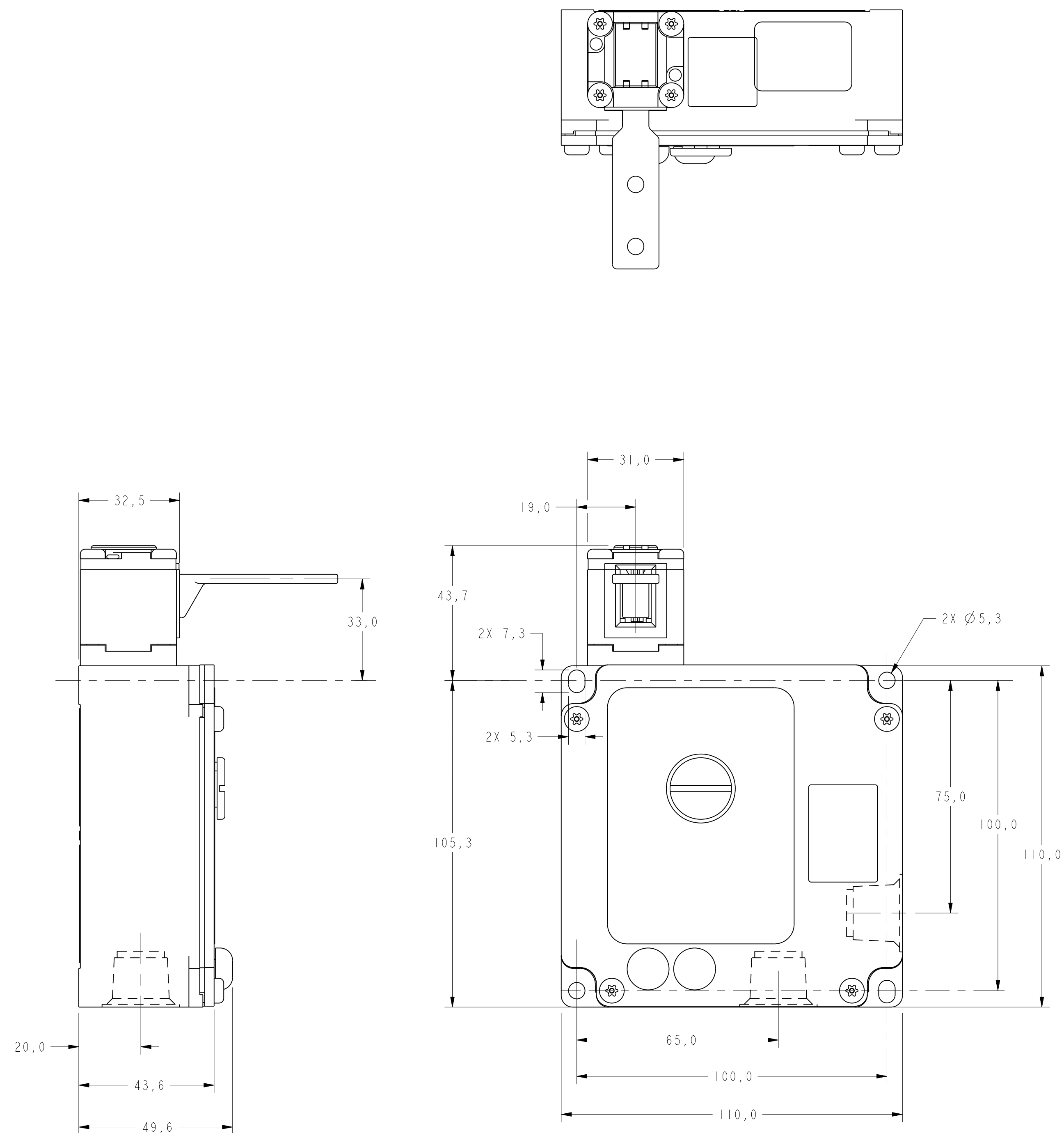
TOP KEY ENTRY

BODY / INDICATOR CODES R OR G

PTC/CAD 3D
 DRAWN
 MAM 29 SEP 98
 CHECK
 SAV 11 MAY 99
 CHECK
 PERS 04 FEB 09
 CHECK
 RELEASE NO. PR-23788
 REVISIONS
 52
 ISSUE
 M GK SERIES CHART 4
 DRAWING NUMBER
 2 OF 16
 PAGES

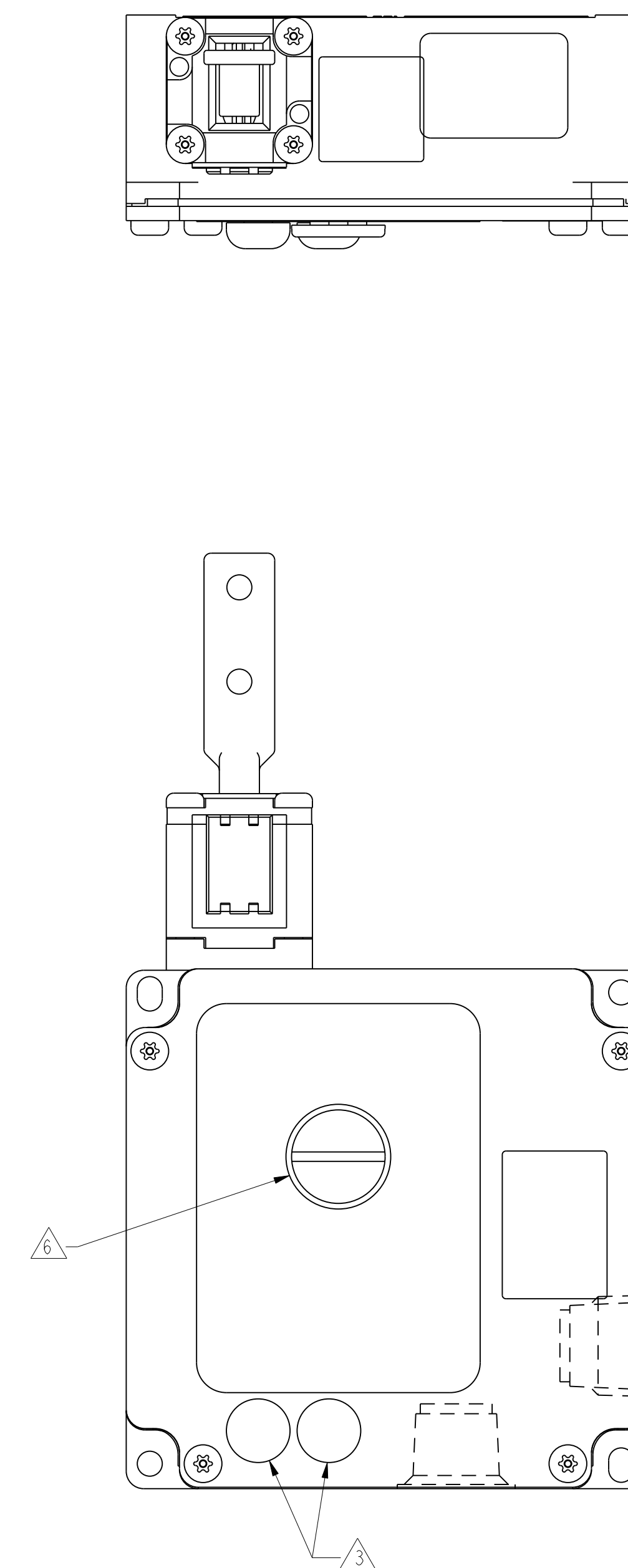
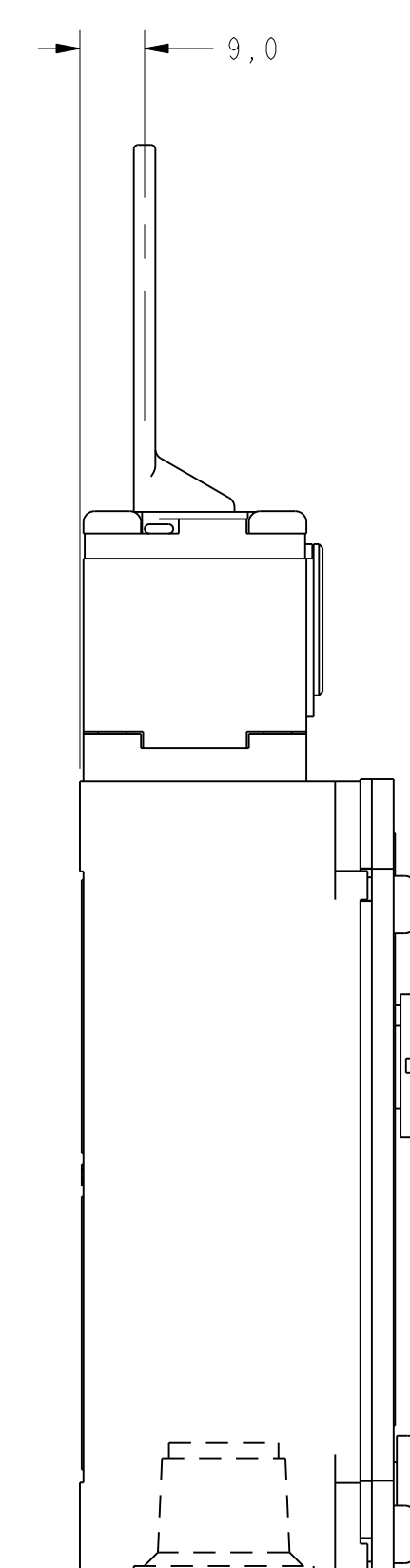
THIS DRAWING COVERS A PROPRIETARY ITEM AND IS THE PROPERTY OF MICRO SWITCH, A DIVISION OF HONEYWELL. THIS DRAWING IS NOT TO BE COPIED OR USED WITHOUT THE APPROVAL OF MICRO SWITCH. FED. MFG. CODE 91929		CATALOG LISTING MICRO SWITCH a Honeywell Division		SWITCH - DOOR INTERLOCK GK SERIES CHART 4	
DESIGN UNITS SI METRIC <input checked="" type="checkbox"/> US CUSTOMARY <input type="checkbox"/>		TOLERANCES APPLY TO DESIGN UNITS. CONVERSIONS ARE ONLY FOR REFERENCE, UNLESS NOTED. TOLERANCES ARE:		THIRD ANGLE PROJECTION SCALE 1:1 DO NOT SCALE PRINT	
NO PLACES	±	±0.04	±	±0.0015	
ONE PLACE	±.1	0.40/0.16	±.1	0.30/0.15	
TWO PLACES	±.01	0.15/0.06	±.01	0.13/0.05	
THREE PLACES	±.001		±.001		
WEIGHT 1.5 kg / 3.3 LB					

PTC/CAD 3D
 DRAWN MAM
 CHECKED 29 SEP 08
 DATE 11 MAY 99
 PER 04 FEB 09
 CHECKED
 RELEASE NO. PR-23758
 3 OF 16
 GK SERIES CHART 4
 DRAWING NUMBER
 ISSUE 52



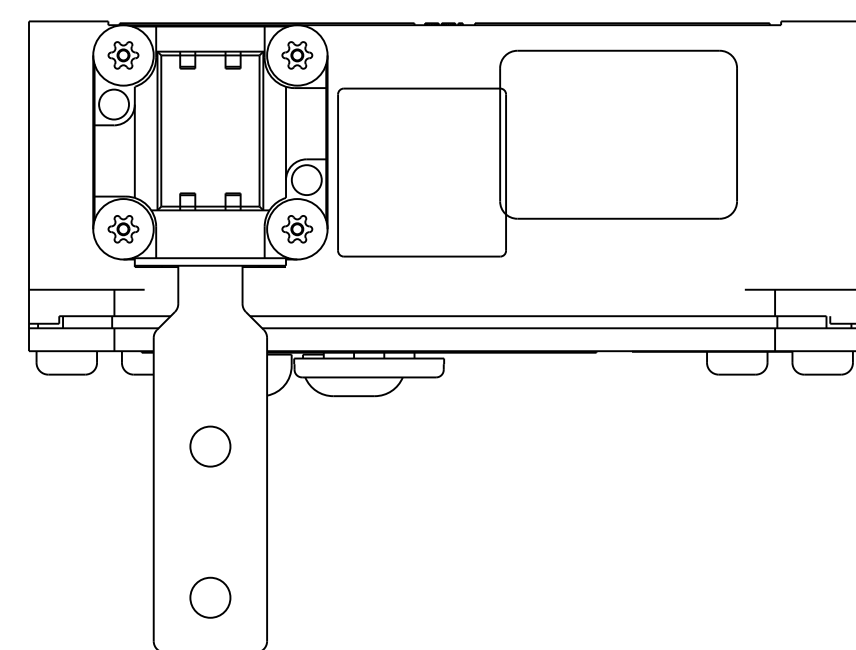
FRONT KEY ENTRY

BODY / INDICATOR CODES L OR F

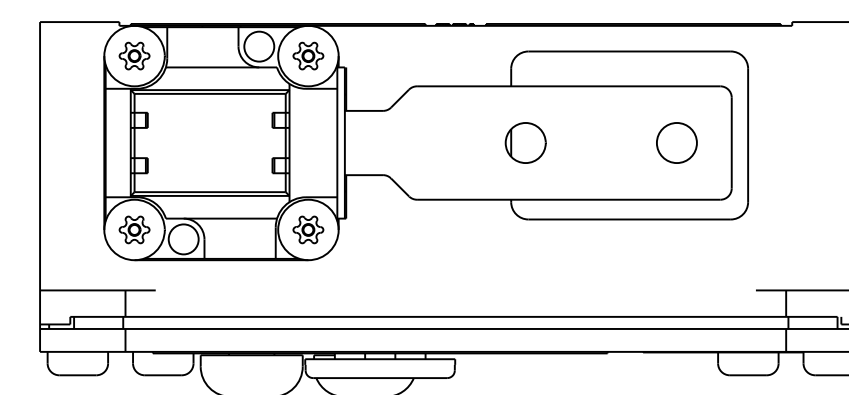


TOP KEY ENTRY

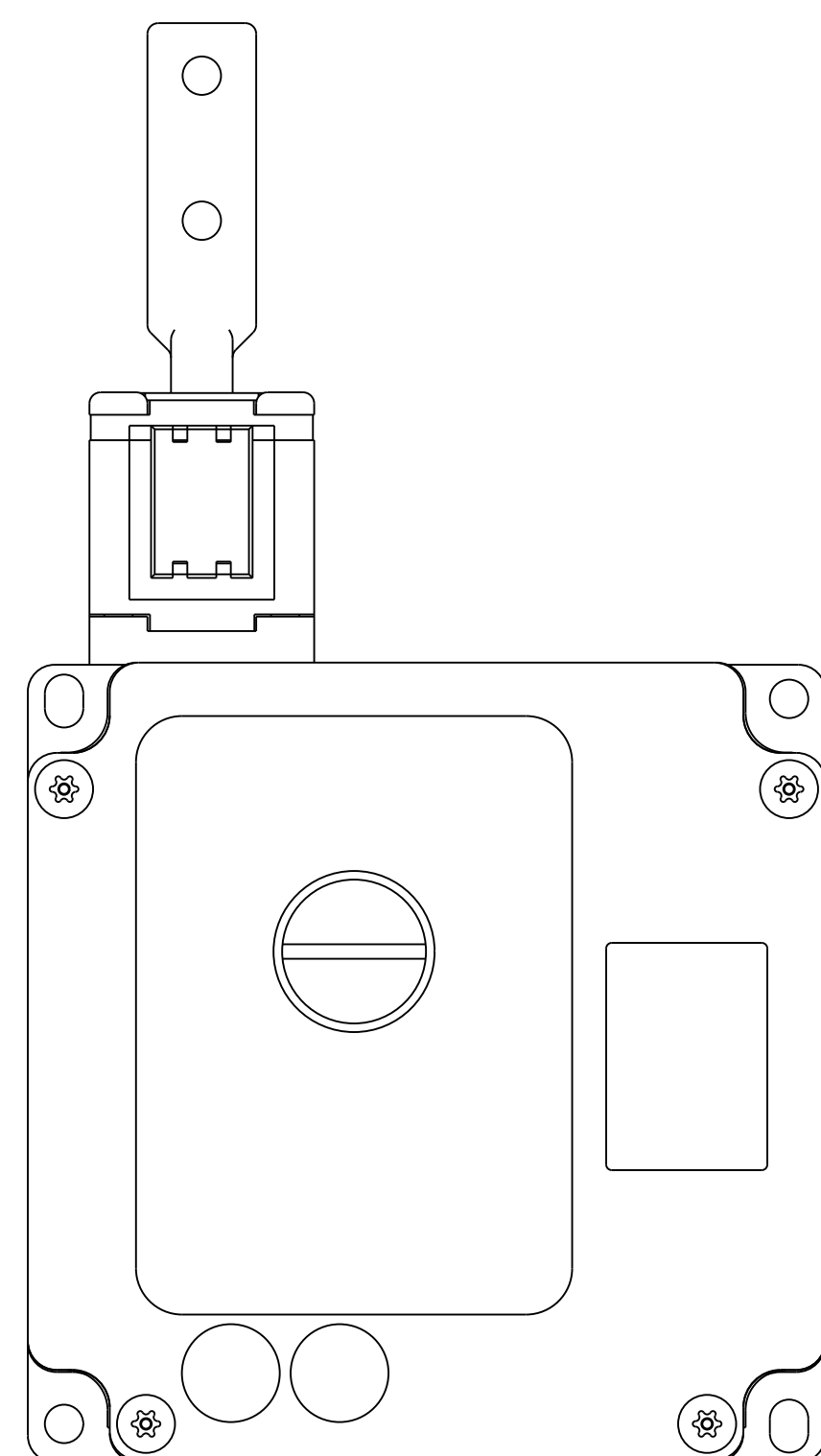
THIS DRAWING COVERS A PROPRIETARY ITEM AND IS THE PROPERTY OF MICRO SWITCH, A DIVISION OF HONEYWELL. THIS DRAWING IS NOT TO BE COPIED OR USED WITHOUT THE APPROVAL OF MICRO SWITCH. FED. MFG. CODE 91929		CATALOG LISTING																										
MICRO SWITCH a Honeywell Division		SWITCH - DOOR INTERLOCKING																										
DESIGN UNITS <input checked="" type="checkbox"/> SI METRIC <input type="checkbox"/> US CUSTOMARY		GK SERIES CHART 4																										
WEIGHT 1,5 kg / 3,3 LB		THIRD ANGLE PROJECTION SCALE 1:1 DO NOT SCALE PRINT TOLERANCES APPLY TO DESIGN UNITS. CONVERSIONS ARE ONLY FOR REFERENCE, UNLESS NOTED. TOLERANCES ARE: <table border="1"> <tr> <th></th> <th>SI</th> <th>US</th> <th>SI</th> <th>US</th> </tr> <tr> <td>NO PLACES</td> <td>±0,04</td> <td>±0,0015</td> <td>±0,04</td> <td>±0,0015</td> </tr> <tr> <td>ONE PLACE</td> <td>±0,05</td> <td>±0,0025</td> <td>±0,05</td> <td>±0,0025</td> </tr> <tr> <td>TWO PLACES</td> <td>±0,02</td> <td>±0,0015</td> <td>±0,02</td> <td>±0,0015</td> </tr> <tr> <td>THREE PLACES</td> <td>±0,01</td> <td>±0,0008</td> <td>±0,01</td> <td>±0,0008</td> </tr> </table>			SI	US	SI	US	NO PLACES	±0,04	±0,0015	±0,04	±0,0015	ONE PLACE	±0,05	±0,0025	±0,05	±0,0025	TWO PLACES	±0,02	±0,0015	±0,02	±0,0015	THREE PLACES	±0,01	±0,0008	±0,01	±0,0008
	SI	US	SI	US																								
NO PLACES	±0,04	±0,0015	±0,04	±0,0015																								
ONE PLACE	±0,05	±0,0025	±0,05	±0,0025																								
TWO PLACES	±0,02	±0,0015	±0,02	±0,0015																								
THREE PLACES	±0,01	±0,0008	±0,01	±0,0008																								



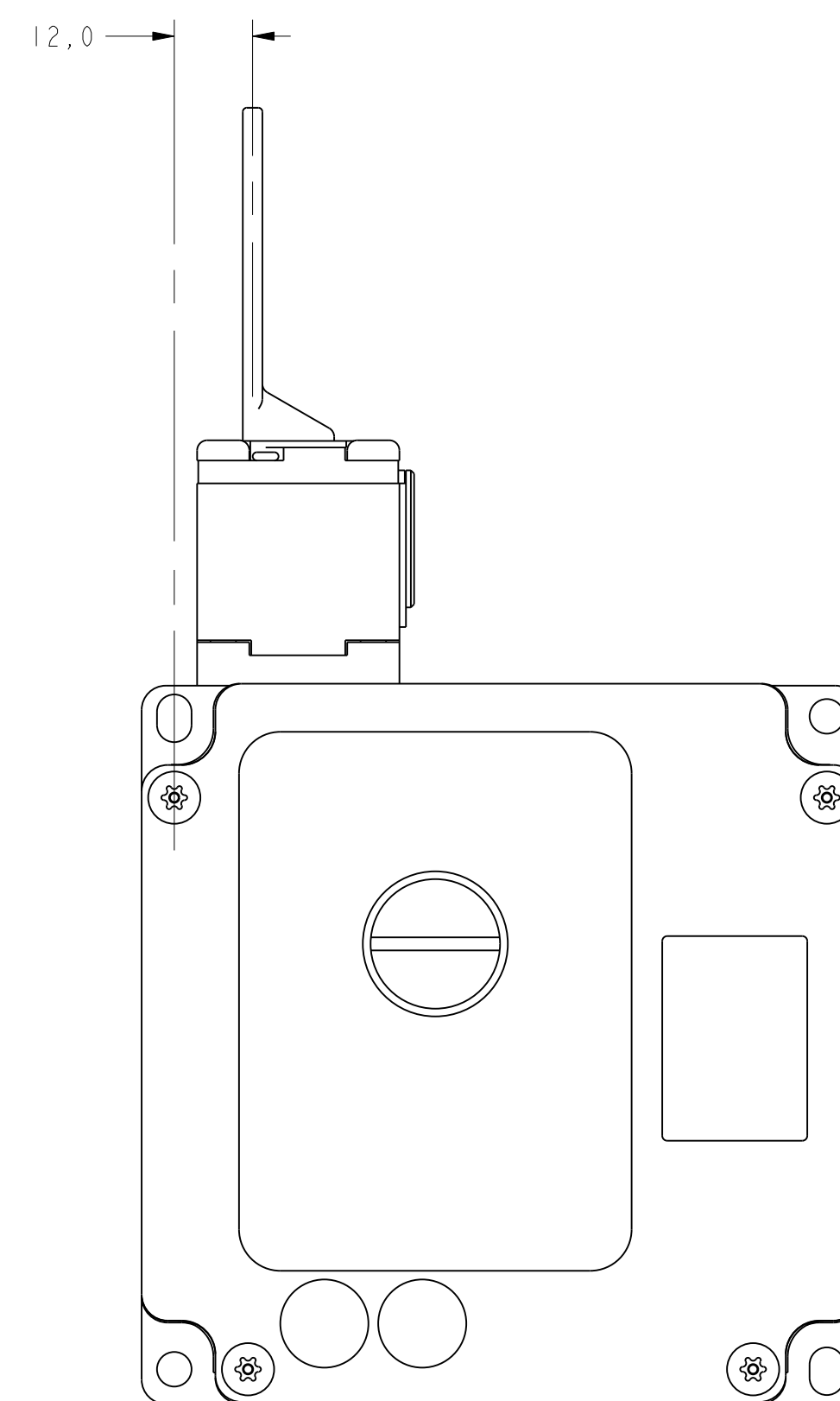
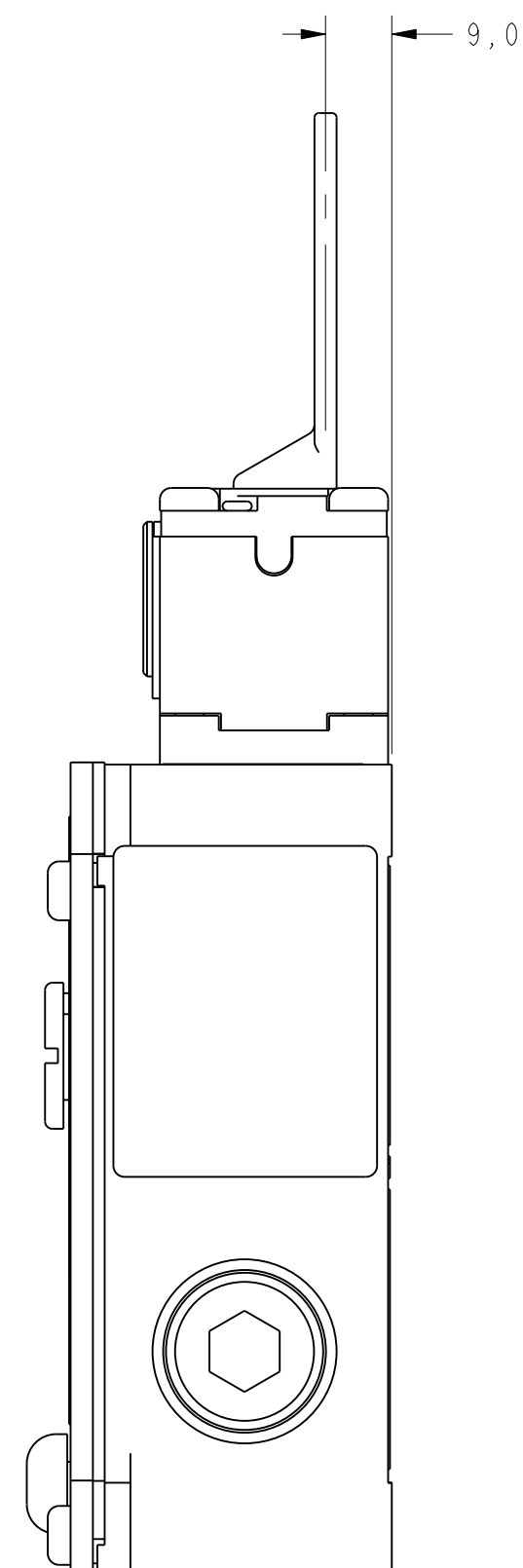
WITH KEY IN FRONT ENTRY POSITION



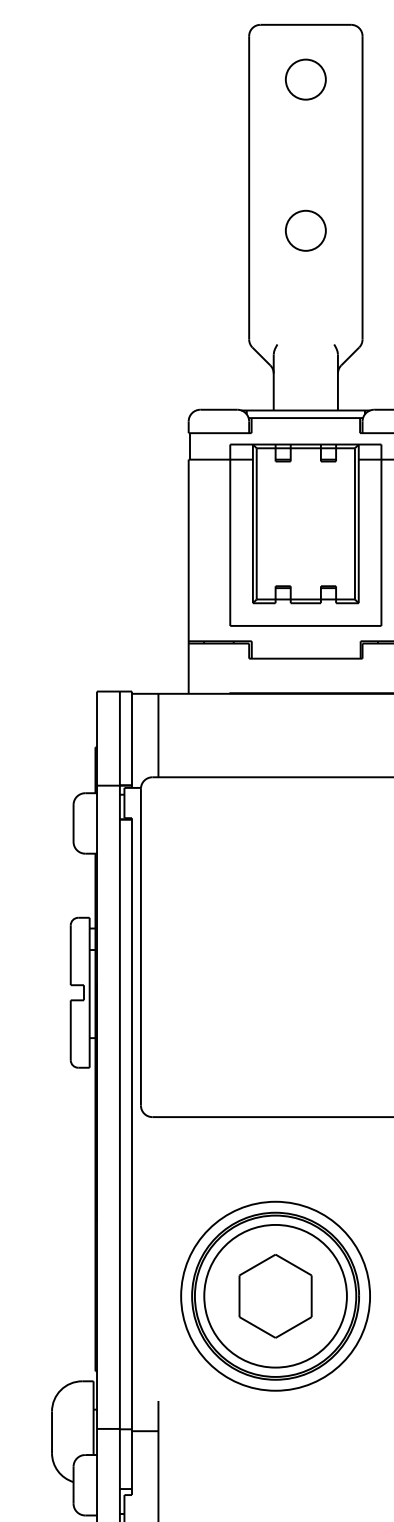
WITH KEY IN FRONT ENTRY POSITION



WITH KEY IN TOP ENTRY POSITION



WITH KEY IN TOP ENTRY POSITION

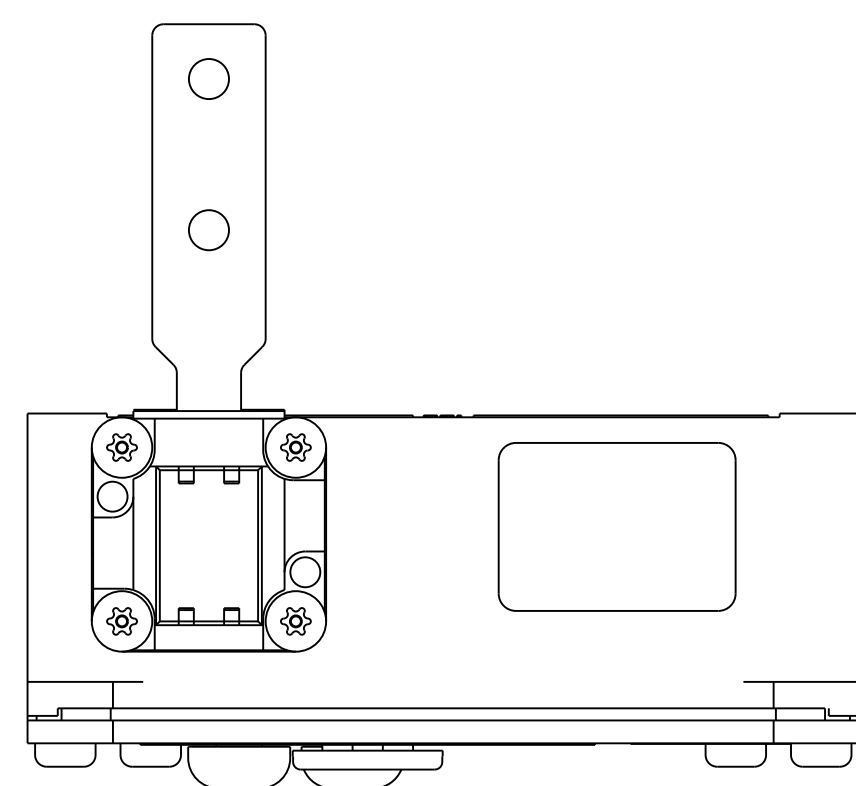


HEAD CODE M

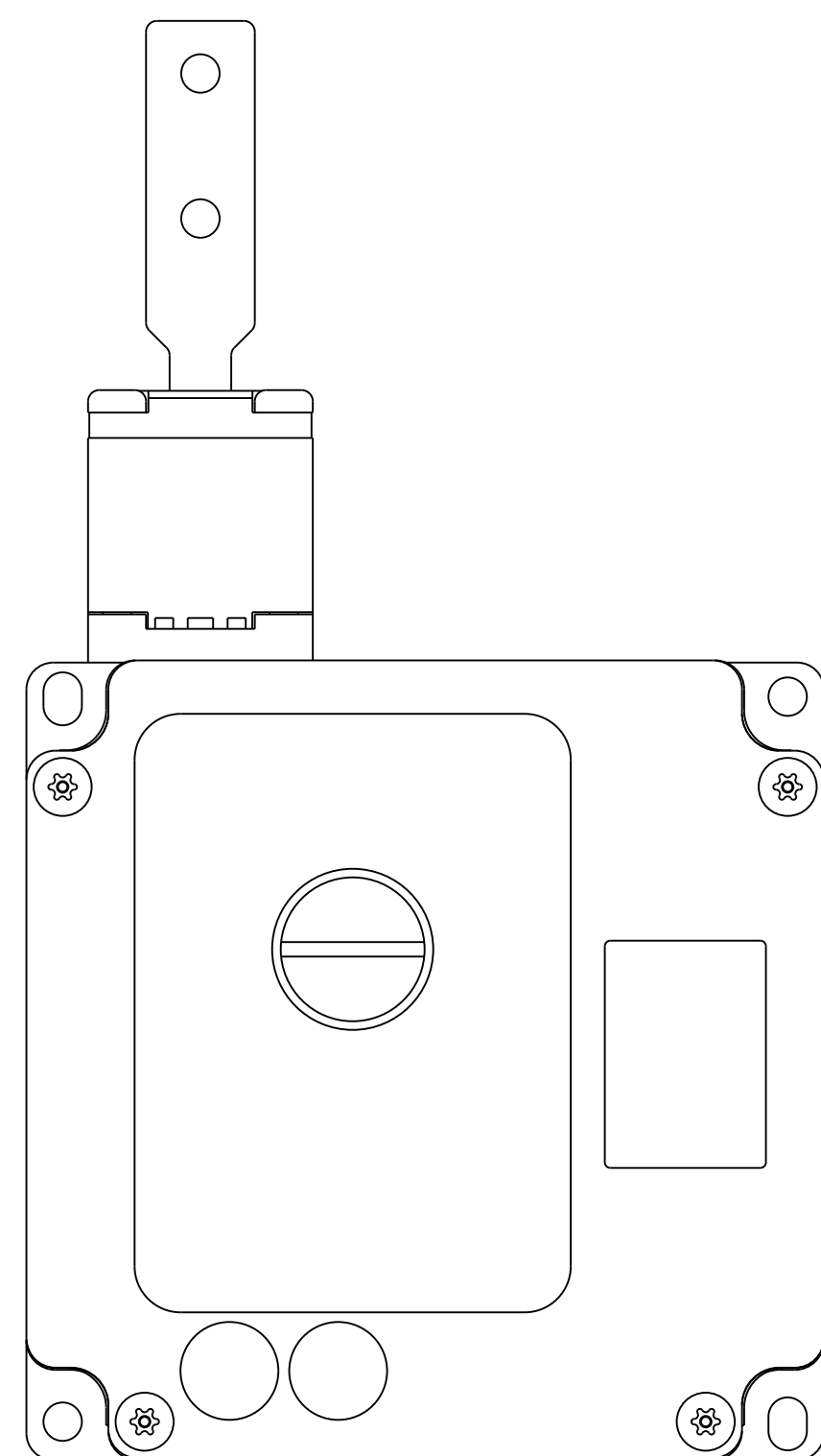
HEAD CODE L

PTC/CAD 3D
 DRAWN MAM
 CHECKED MAM
 DATE 28 SEP 08
 SAV 12 MAY 09
 PRE 04 FEB 09
 CHECKED
 RELEASE NO. PR-23758
 REVISIONS
 52
 DRAWING NUMBER
 M GK SERIES CHART 4
 PAGE 4 OF 16
 REVISIONS

THIS DRAWING COVERS A PROPRIETARY ITEM AND IS THE PROPERTY OF MICRO SWITCH, A DIVISION OF HONEYWELL. THIS DRAWING IS NOT TO BE COPIED OR USED WITHOUT THE APPROVAL OF MICRO SWITCH. FED. MFG. CODE 91929		CATALOG LISTING	
MICRO SWITCH a Honeywell Division		SWITCH - DOOR INTERLOCK	
DESIGN UNITS <input checked="" type="checkbox"/> SI METRIC <input type="checkbox"/> US CUSTOMARY		GK SERIES CHART 4	
WEIGHT 1.5 kg / 3.3 LB		THIRD ANGLE PROJECTION SCALE 2 : 1 DO NOT SCALE PRINT TOLERANCES APPLY TO DESIGN UNITS. CONVERSIONS ARE ONLY FOR REFERENCE, UNLESS NOTED. TOLERANCES ARE : DIM TOL DIM TOL NO PLACES X .125 .125 ONE PLACE X .125 .125 TWO PLACES X .125 .125 THREE PLACES X .125 .125 ANGLES	

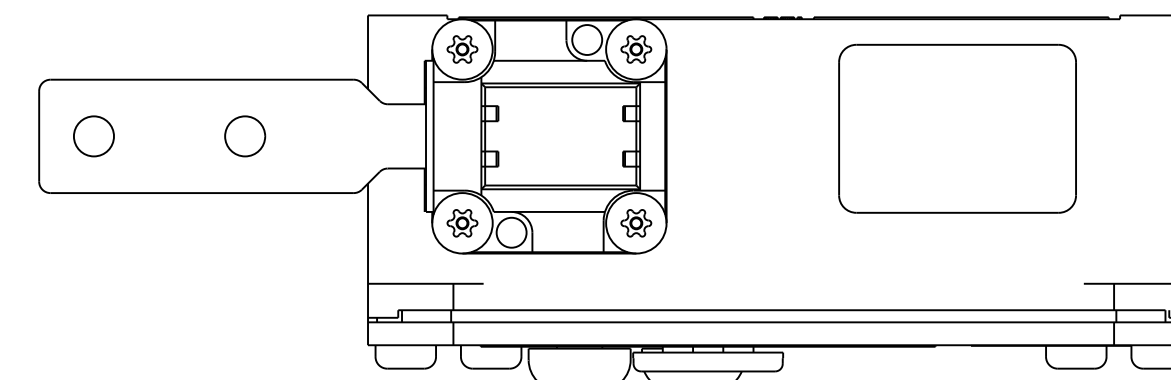
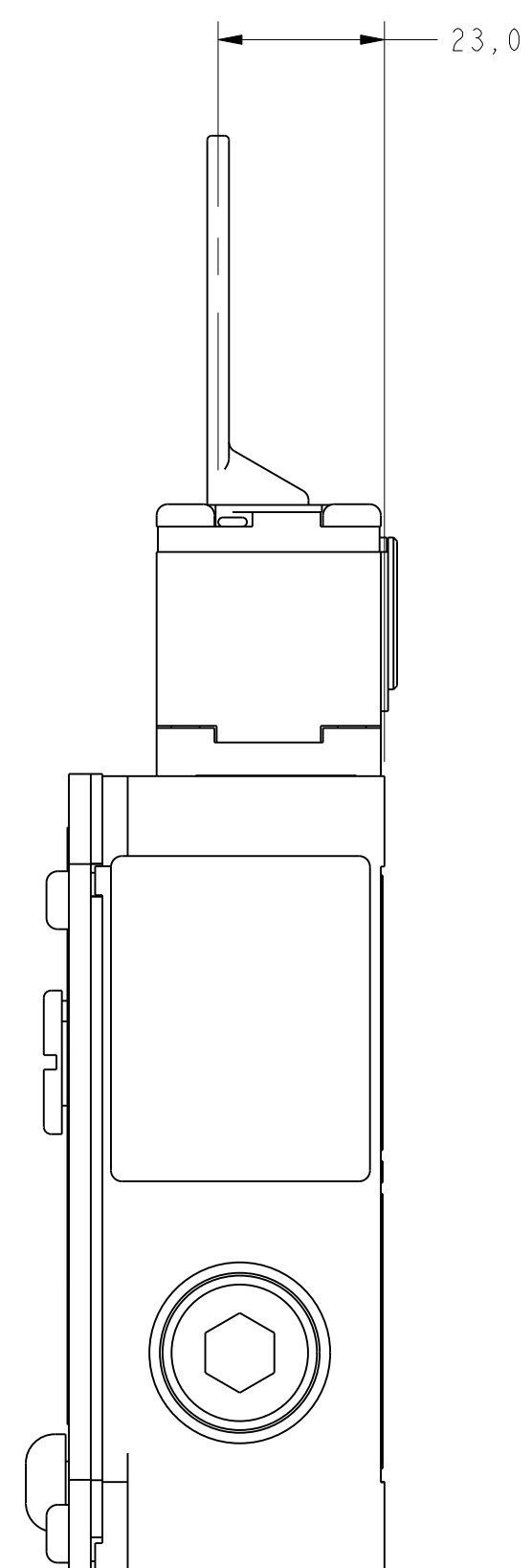


WITH KEY IN FRONT ENTRY POSITION

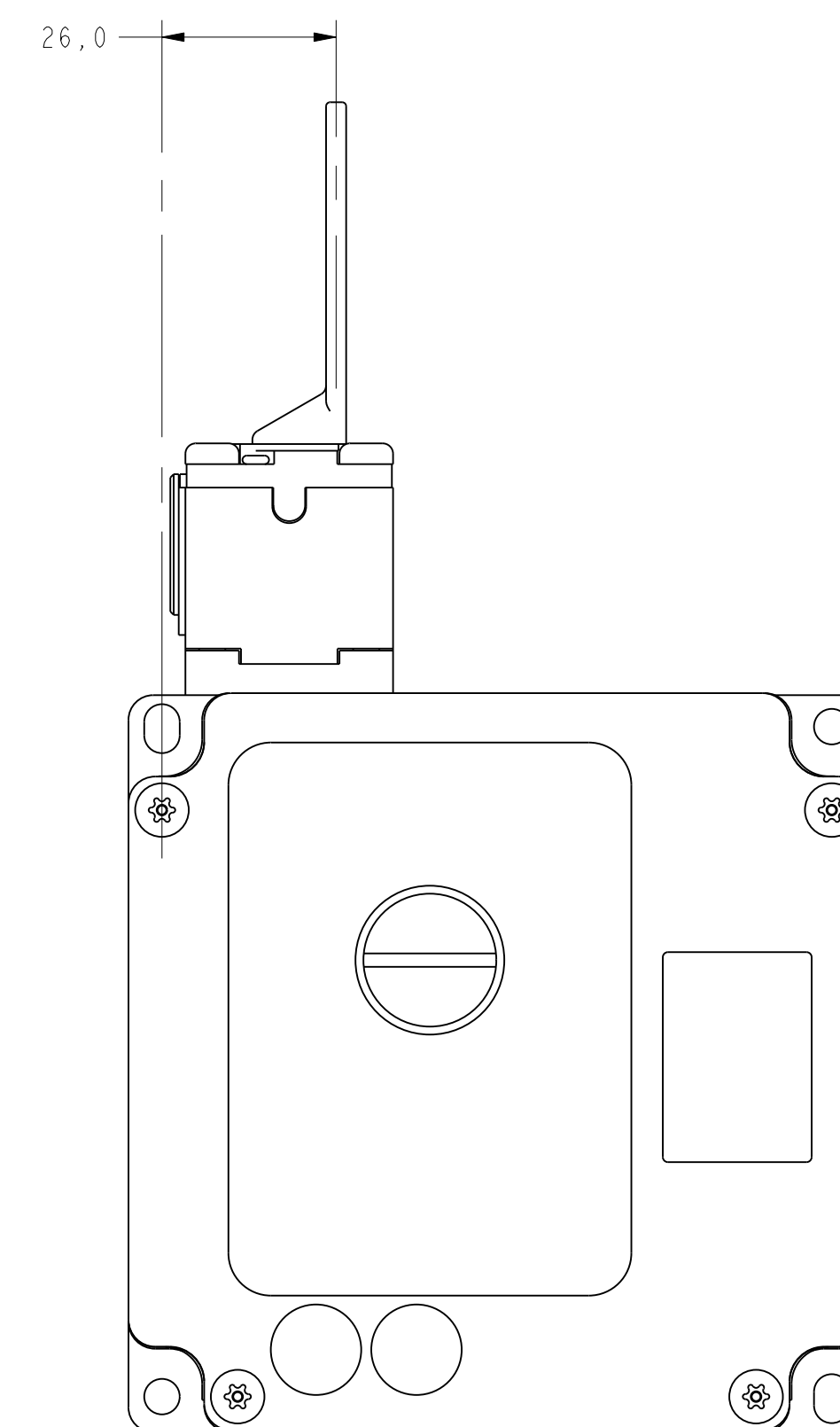


WITH KEY IN TOP ENTRY POSITION

HEAD CODE N

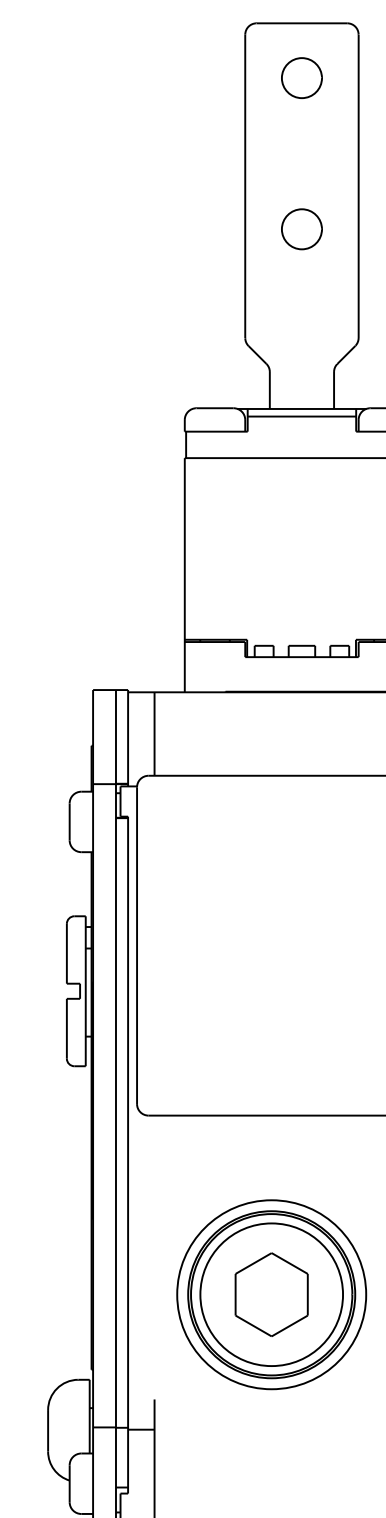


WITH KEY IN FRONT ENTRY POSITION



WITH KEY IN TOP ENTRY POSITION

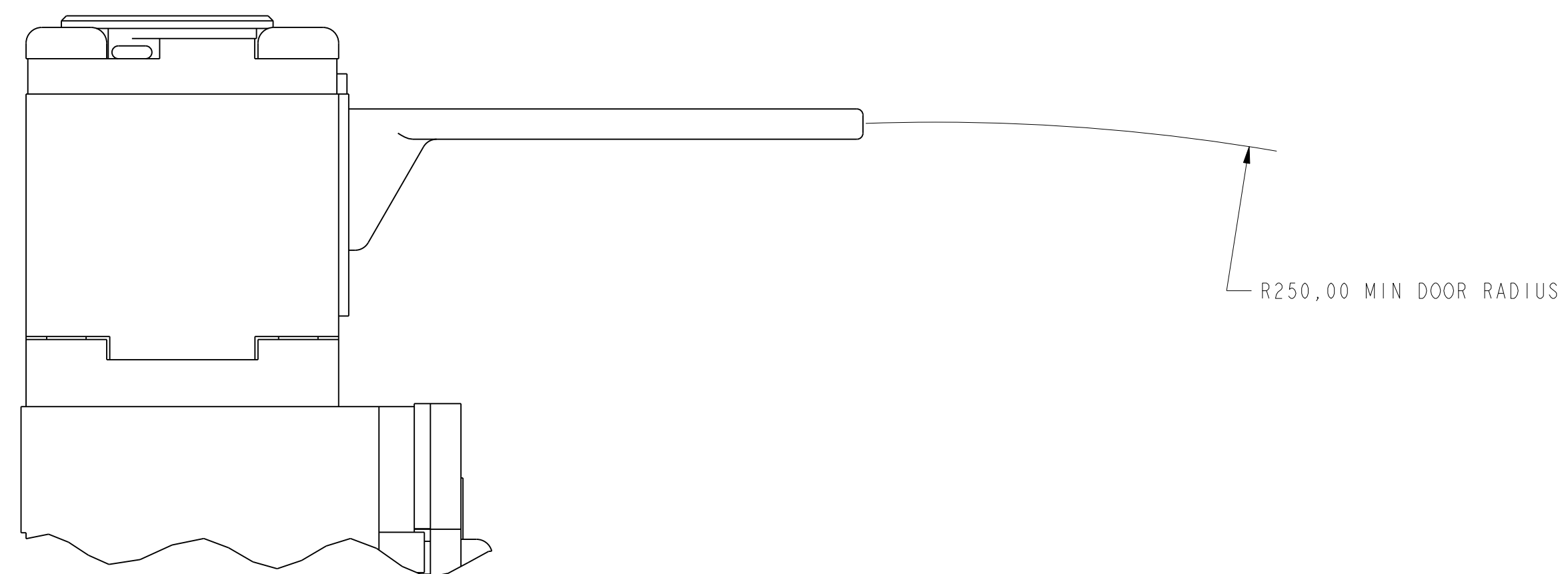
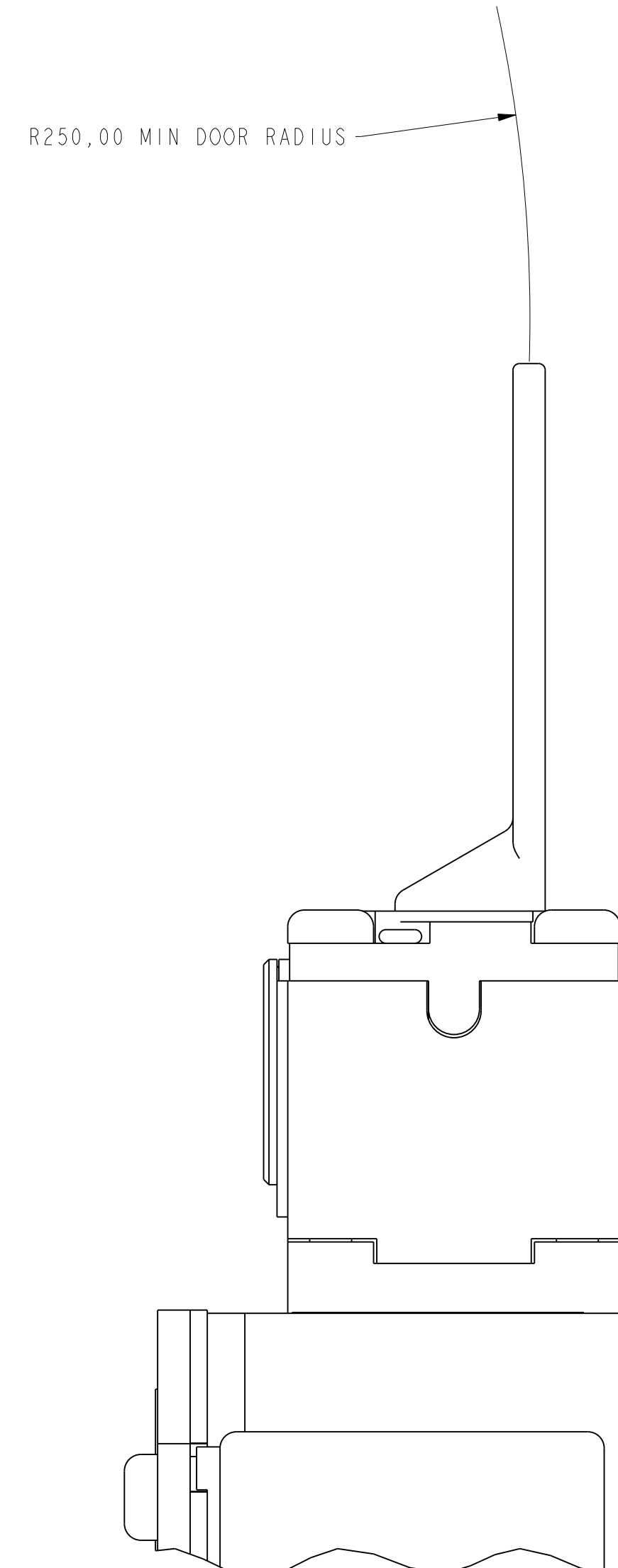
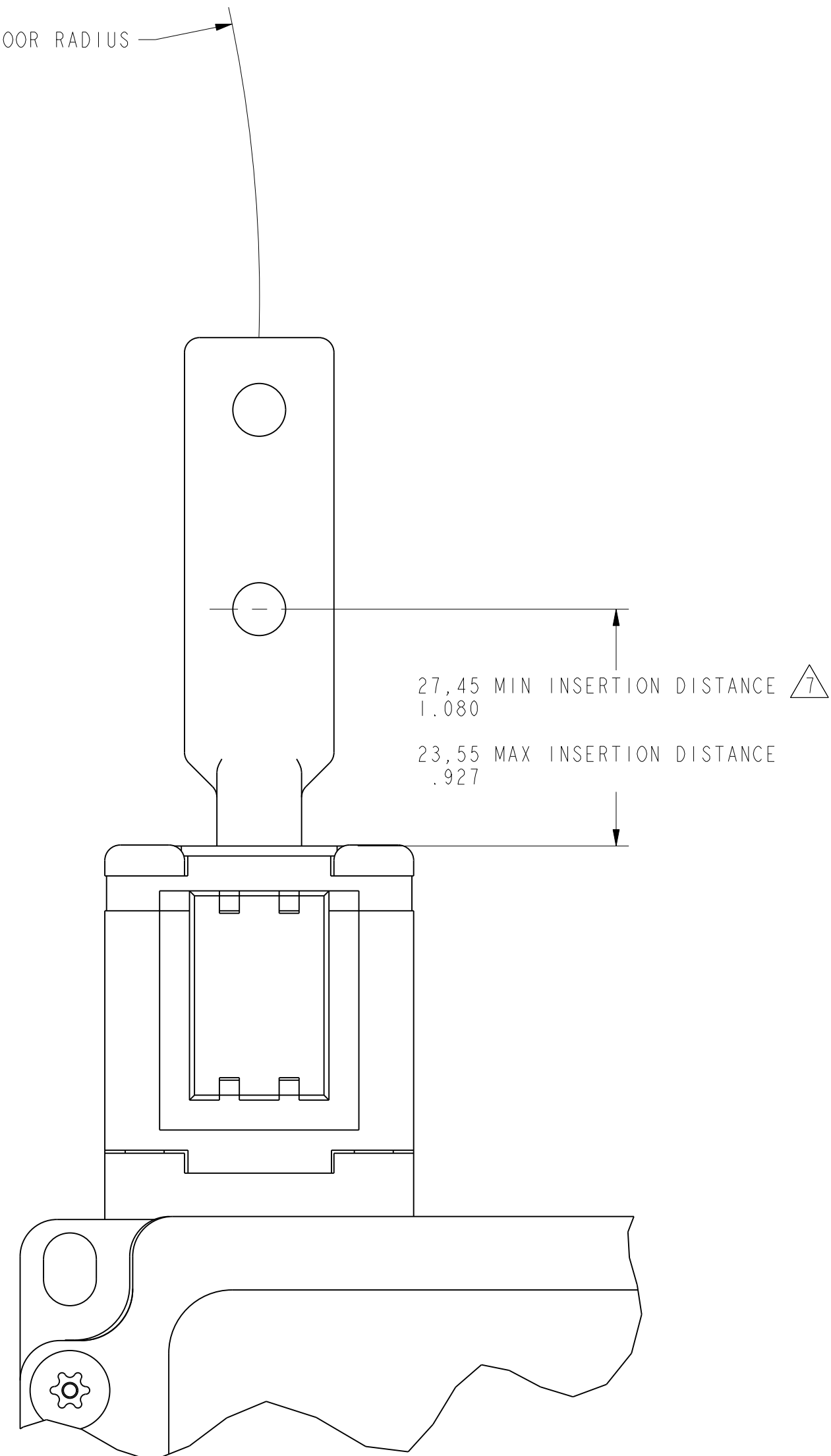
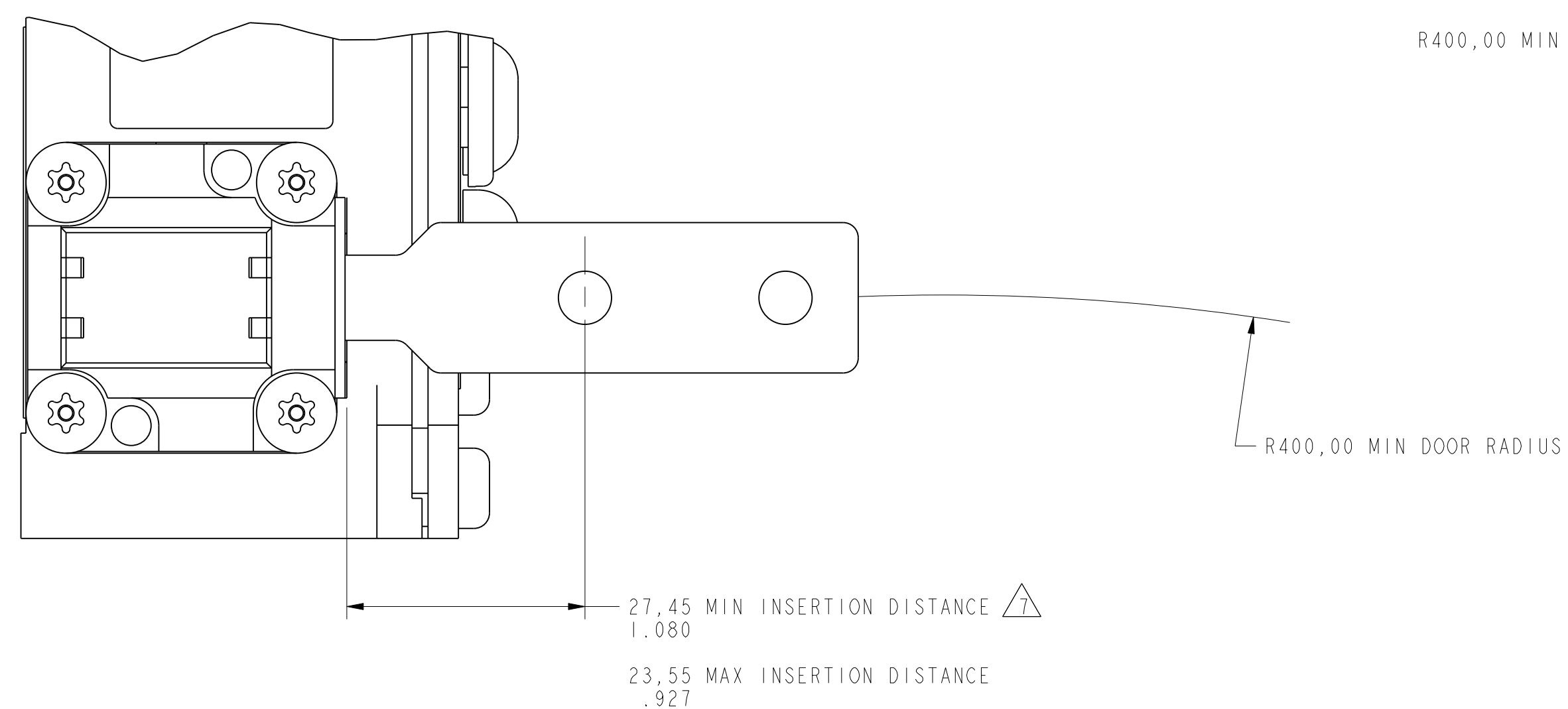
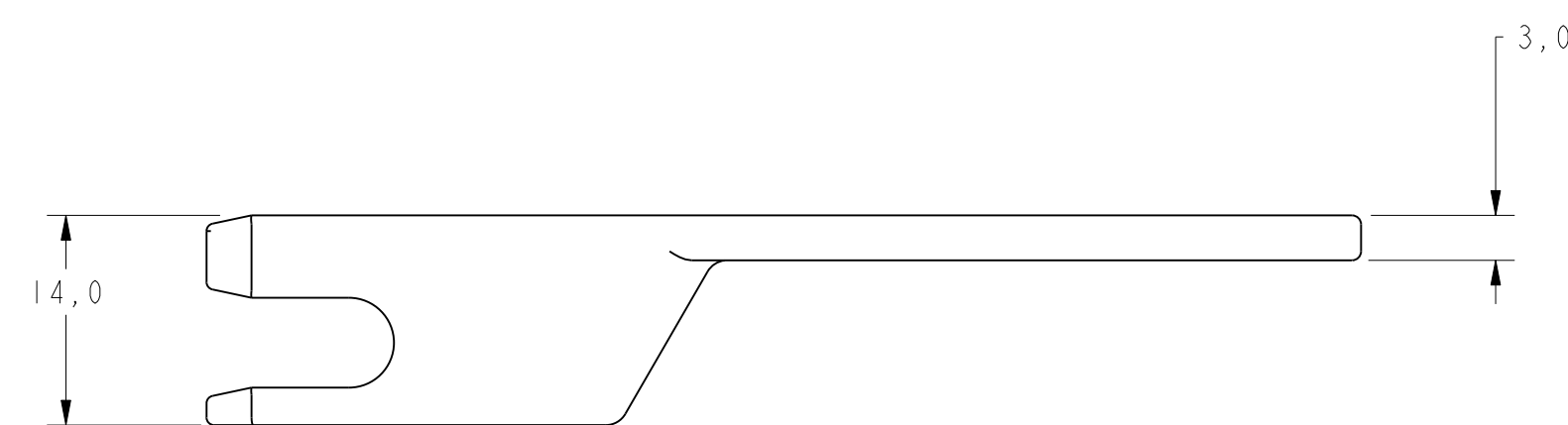
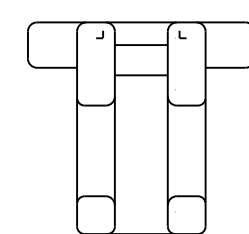
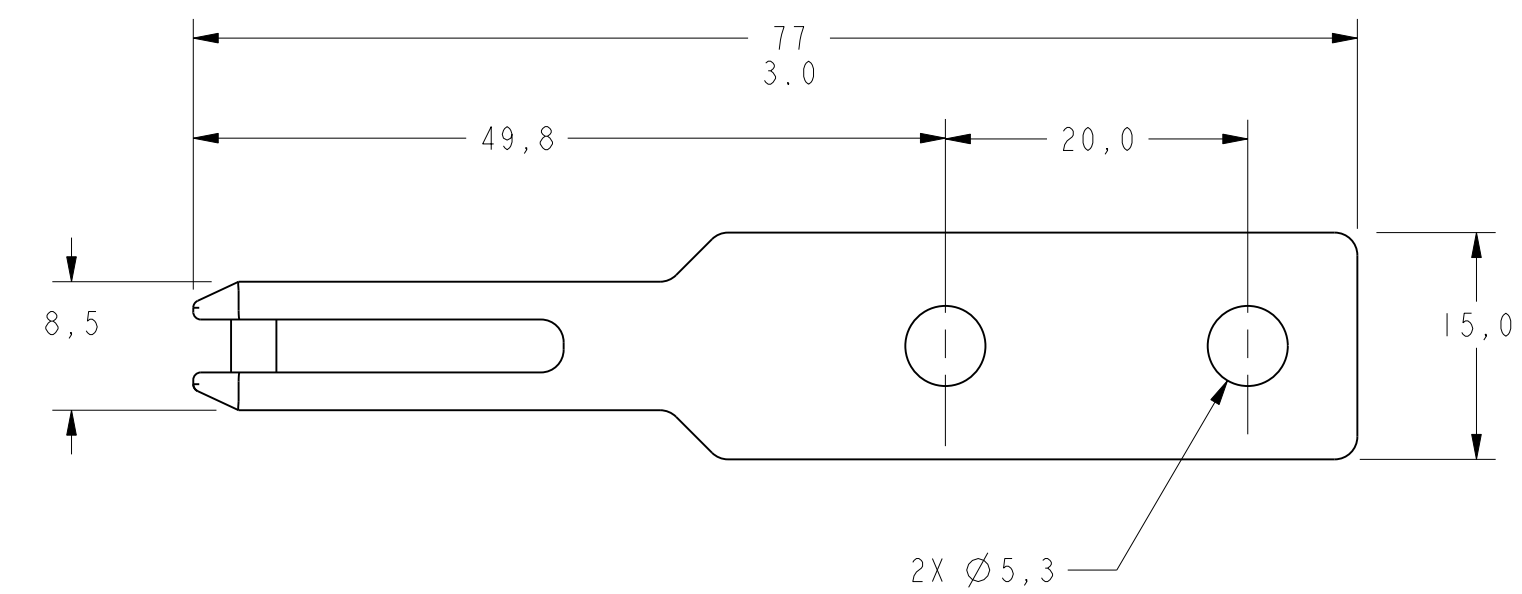
HEAD CODE P



PTC/CAD 3D
DRAWN
MAM 30SEP08
CHECK
SAV 12MAY09
PERS 04FEB09
CHECK
52
ISSUE
DRAWING NUMBER
52
PAGE 5 OF 16
RELEASE NO. PR-23758
REVISECTIONS
M 04/1983
S 05/1983
L 08/1989

THIS DRAWING COVERS A PROPRIETARY ITEM AND IS THE PROPERTY OF MICRO SWITCH, A DIVISION OF HONEYWELL. THIS DRAWING IS NOT TO BE COPIED OR USED WITHOUT THE APPROVAL OF MICRO SWITCH. FED. MFG. CODE 91929		CATALOG LISTING MICRO SWITCH a Honeywell Division		SWITCH - DOOR INTERLOCK GK SERIES CHART 4	
DESIGN UNITS <input checked="" type="checkbox"/> SI METRIC <input type="checkbox"/> US CUSTOMARY		WEIGHT 1.5 KG / 3.3 LB		THIRD ANGLE PROJECTION SCALE 1:1 DO NOT SCALE PRINT TOLERANCES APPLY TO DESIGN UNITS. CONVERSIONS ARE ONLY FOR REFERENCE, UNLESS NOTED. TOLERANCES ARE:	
NO PLACES	ONE PLACE	TWO PLACES	THREE PLACES	SI METRIC	US CUSTOMARY
X	X	X	X	<input checked="" type="checkbox"/>	<input type="checkbox"/>
±0.04	±0.02	±0.01	±0.005	±0.001	±0.0005
±0.001	±0.0005	±0.0002	±0.0001	±0.0001	±0.00005

KEY CODE 6



FRONT KEY ENTRY

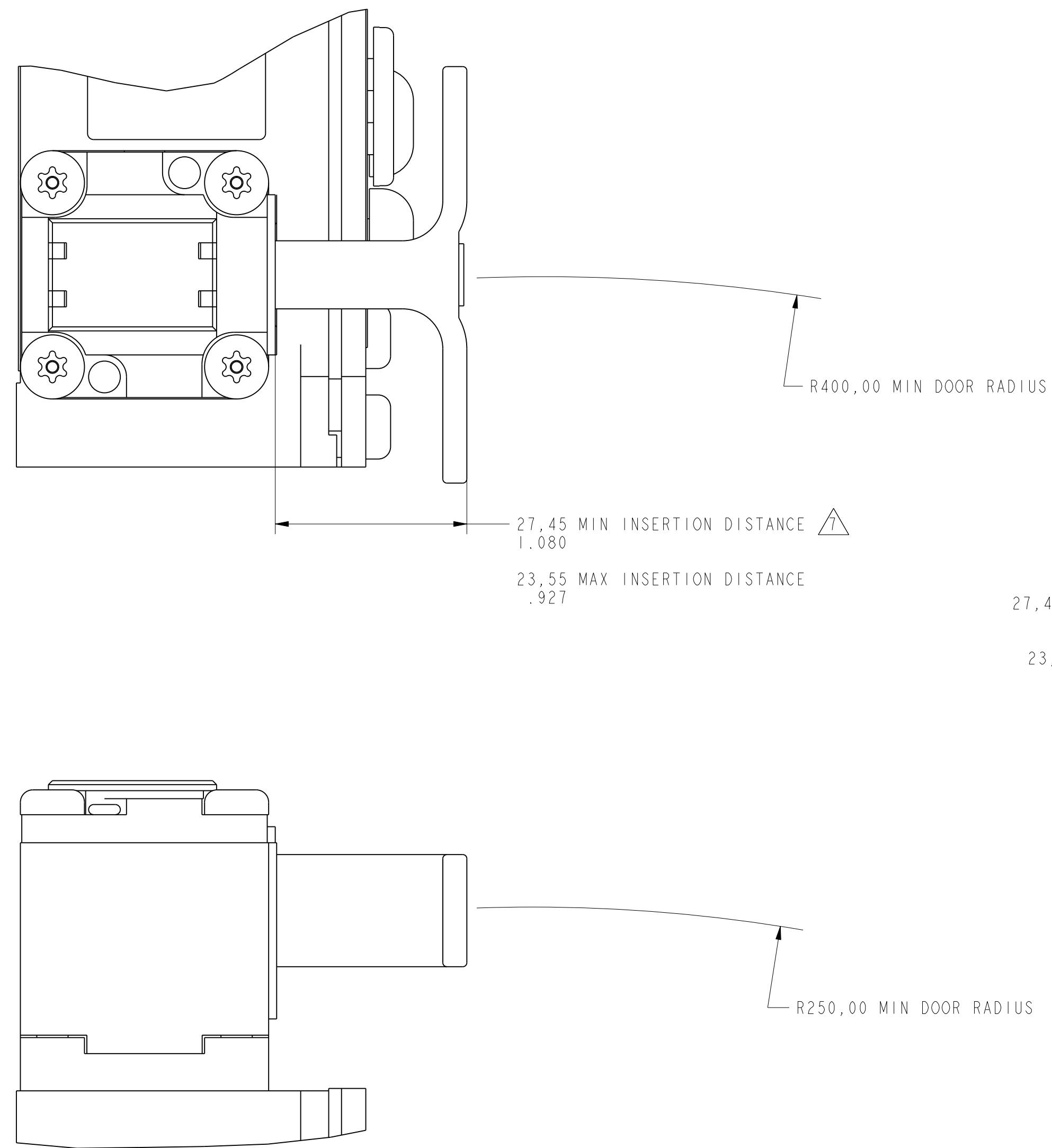
TOP KEY ENTRY

PTC/CAD 3D
DRAWN
MAM
30SEP08
CHECK
SAV
12MAY08
CHECK
PRS
04FEB09
CHECK
52
ISSUE
MGM SERIES CHART 4
PAGE 6 OF 16
RELEASE NO. PR-23758
REVISEMENTS
DATE
BY
REASON

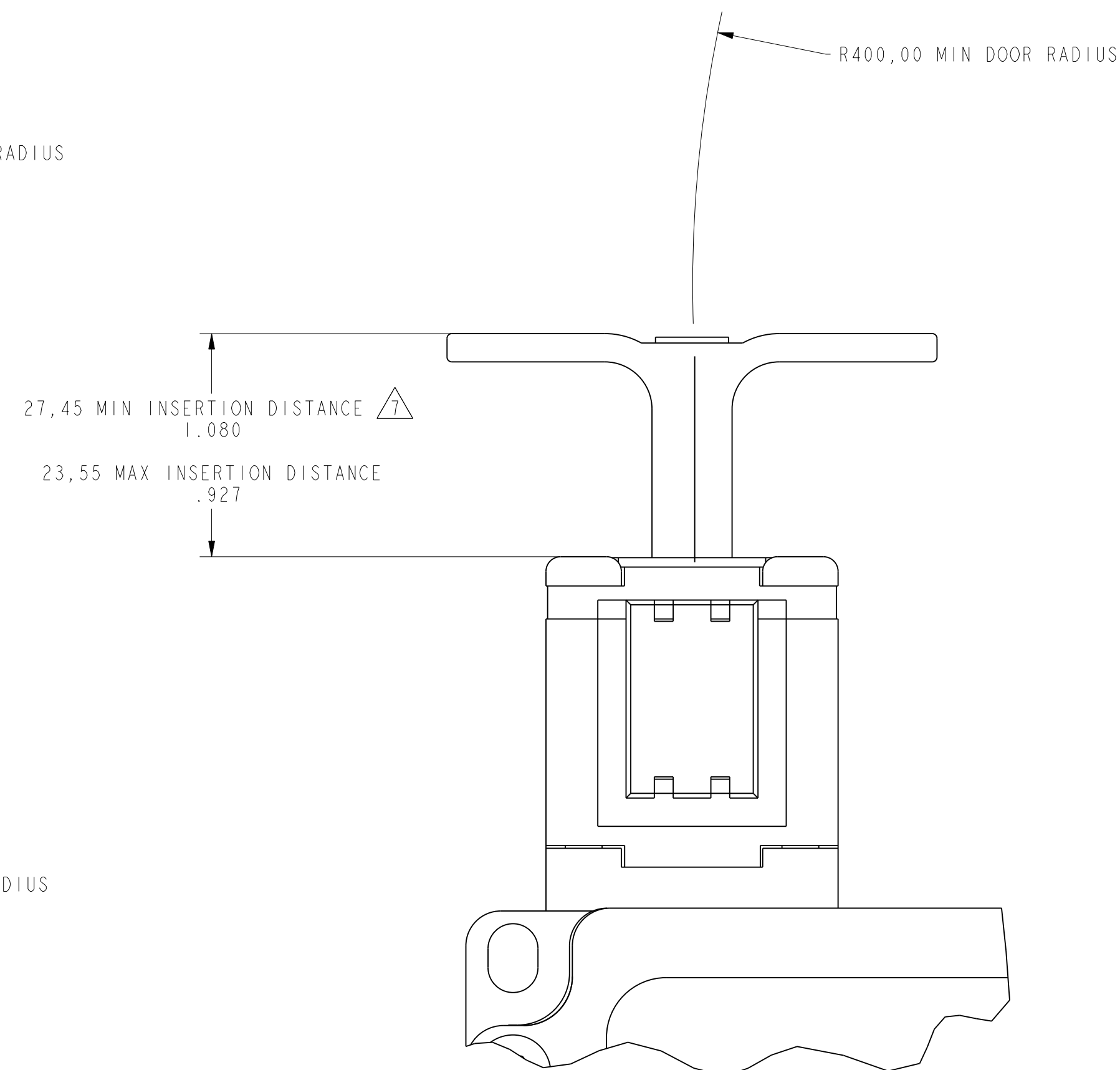
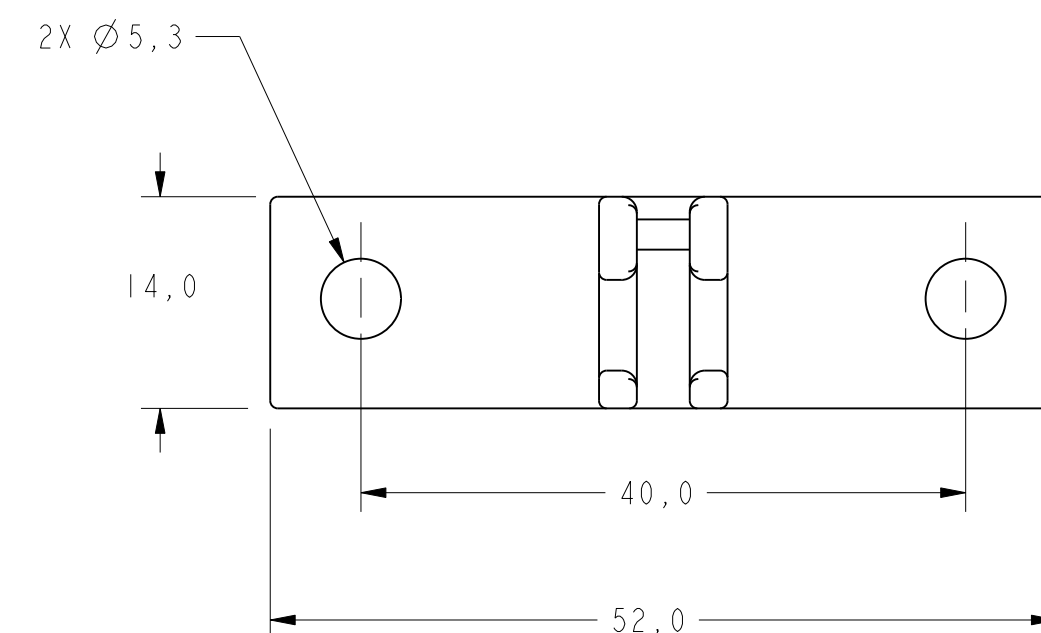
THIS DRAWING COVERS A PROPRIETARY ITEM AND IS THE PROPERTY OF MICRO SWITCH, A DIVISION OF HONEYWELL. THIS DRAWING IS NOT TO BE COPIED OR USED WITHOUT THE APPROVAL OF MICRO SWITCH.		CATALOG LISTING	
MICRO SWITCH a Honeywell Division		SWITCH - DOOR INTERLOCK GK SERIES CHART 4	
DESIGN UNITS <input checked="" type="checkbox"/> SI METRIC <input type="checkbox"/> US CUSTOMARY <input type="checkbox"/>		WEIGHT 1,5 KG / 3.3 LB	

THIRD ANGLE PROJECTION			
SCALE 2 : 1			
DO NOT SCALE PRINT			
TOLERANCES			
APPLY TO DESIGN UNITS. CONVERSIONS ARE ONLY FOR REFERENCE, UNLESS NOTED. TOLERANCES ARE:			
NO PLACES	1X	12.00	0.81/0.5
ONE PLACE	X.1X	0.40/0.06	0.50/0.05
TWO PLACES	X.1X	0.15/0.008	0.13/0.05
THREE PLACES	X.1X		
ANGLES			

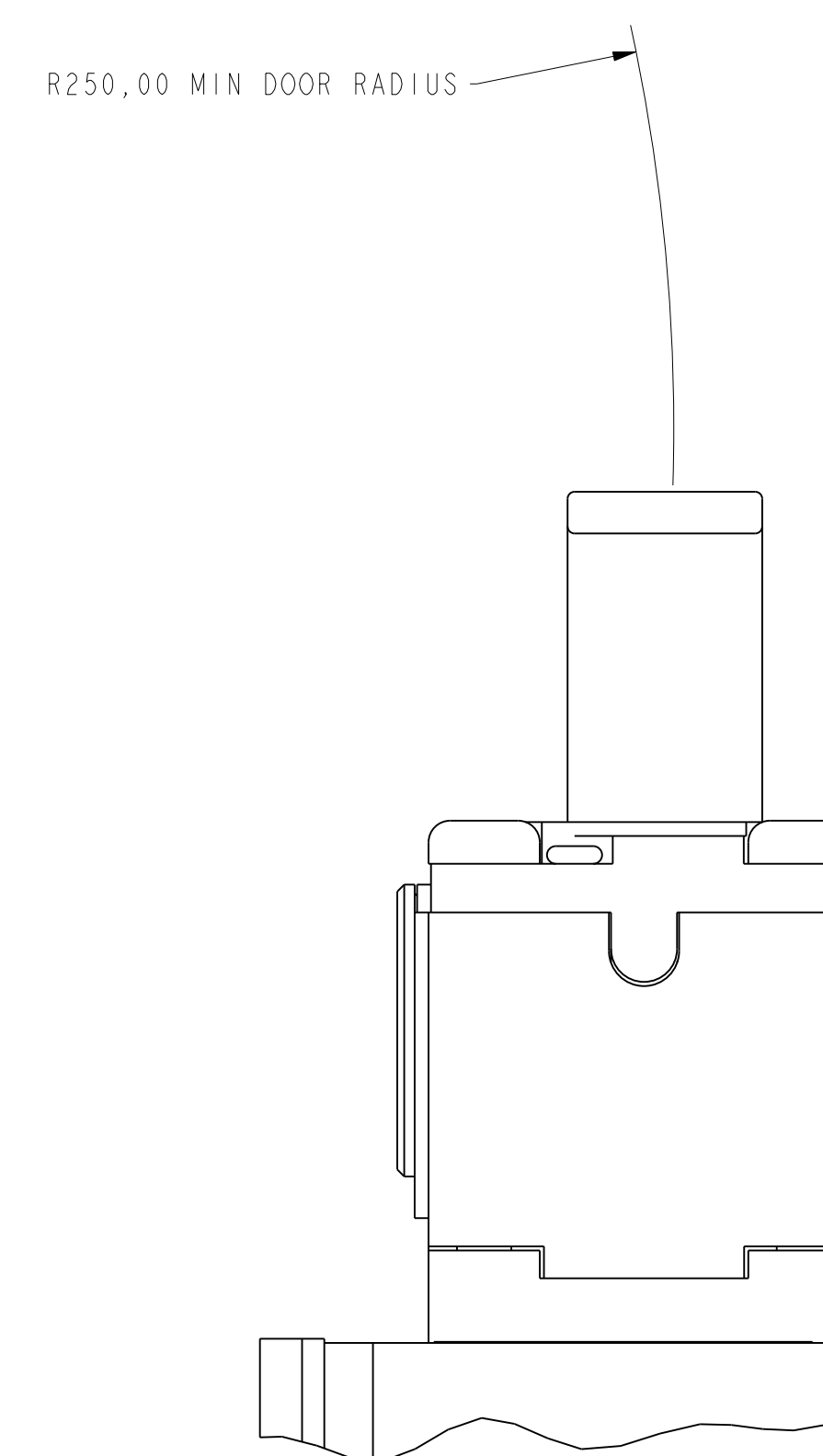
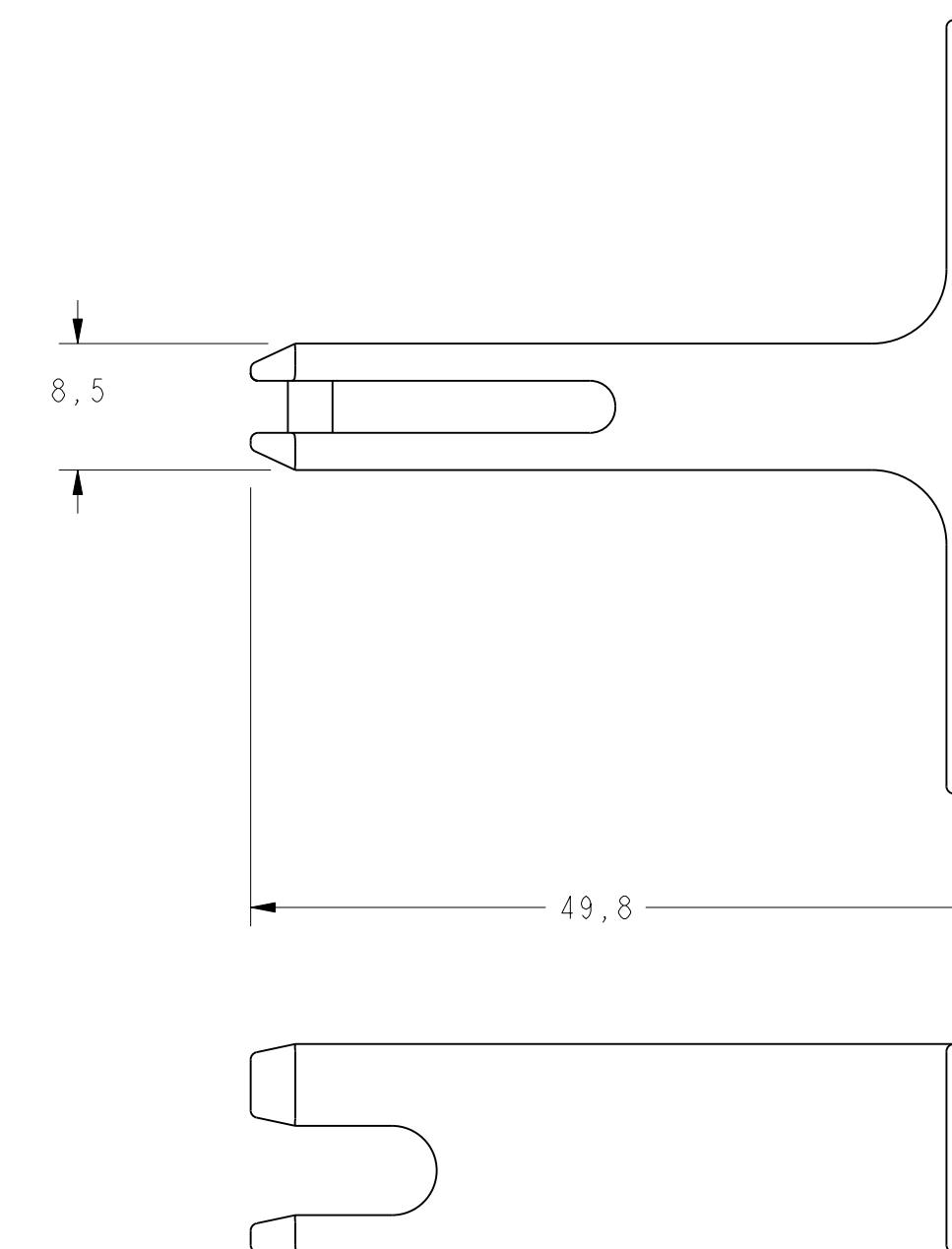
KEY CODE 7



FRONT KEY ENTRY



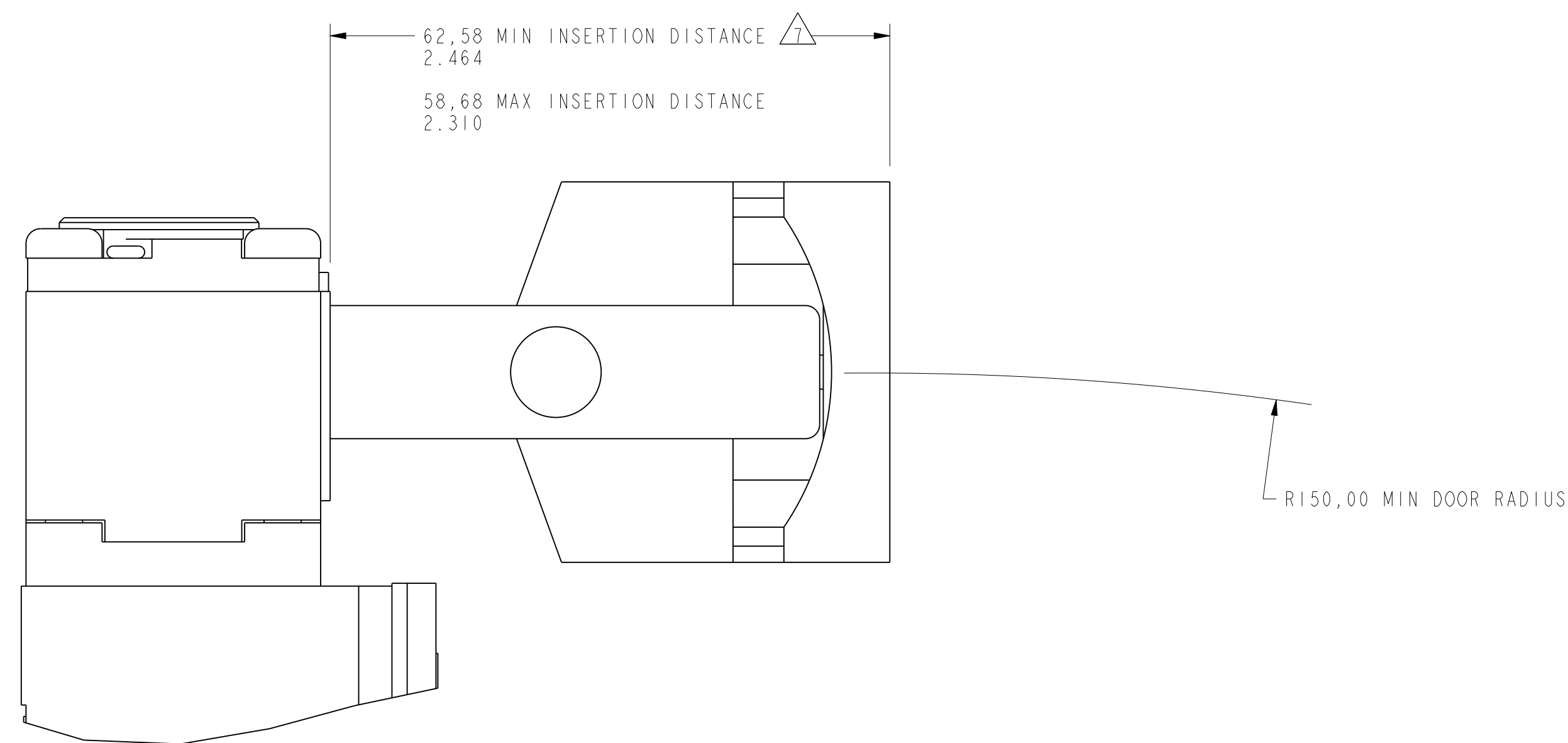
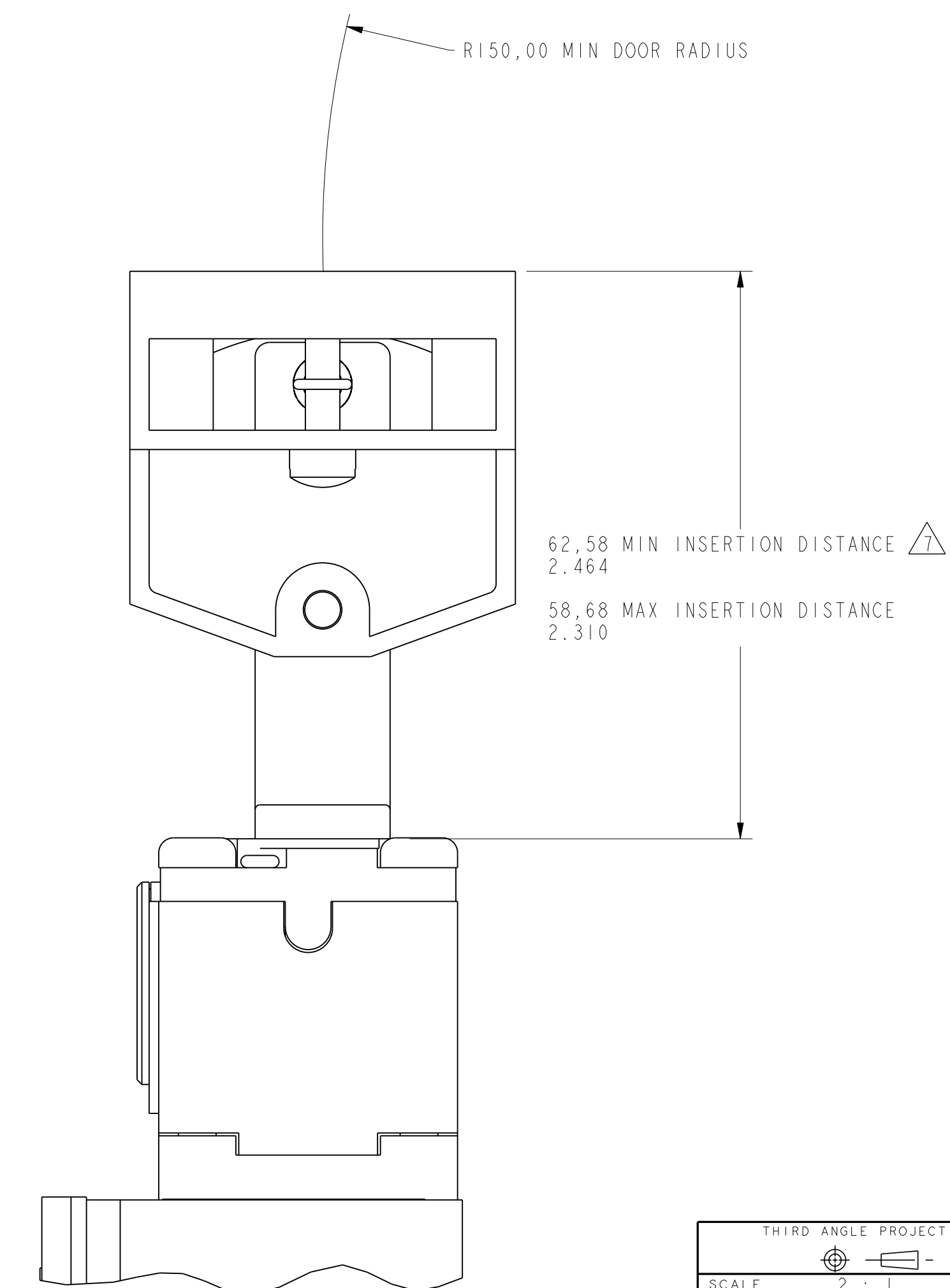
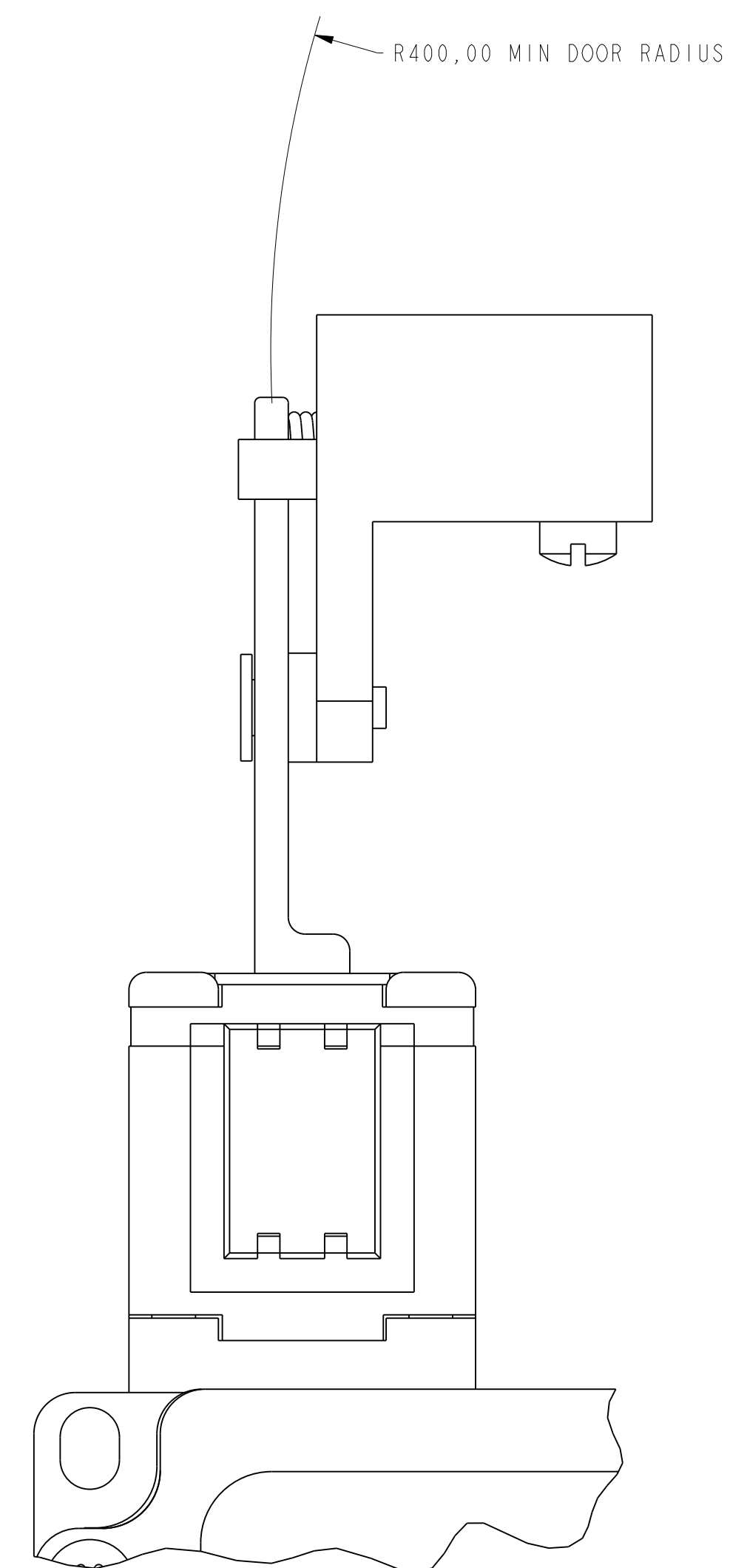
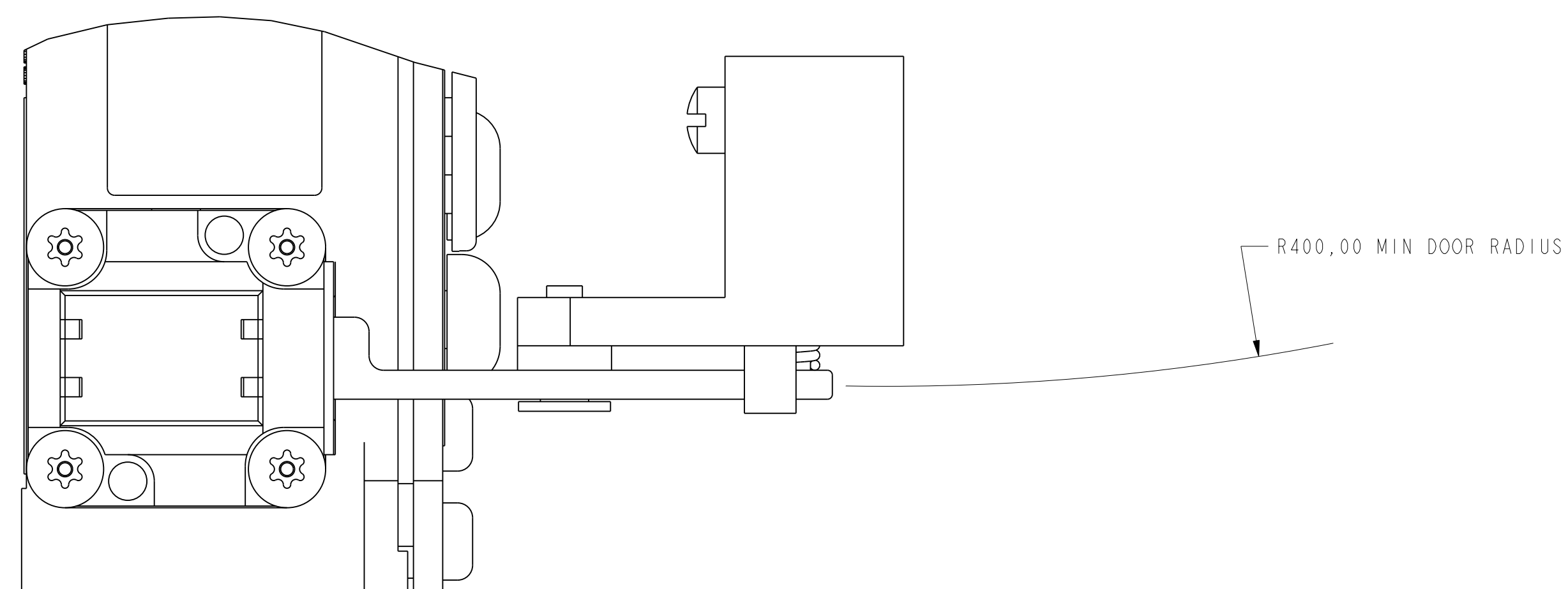
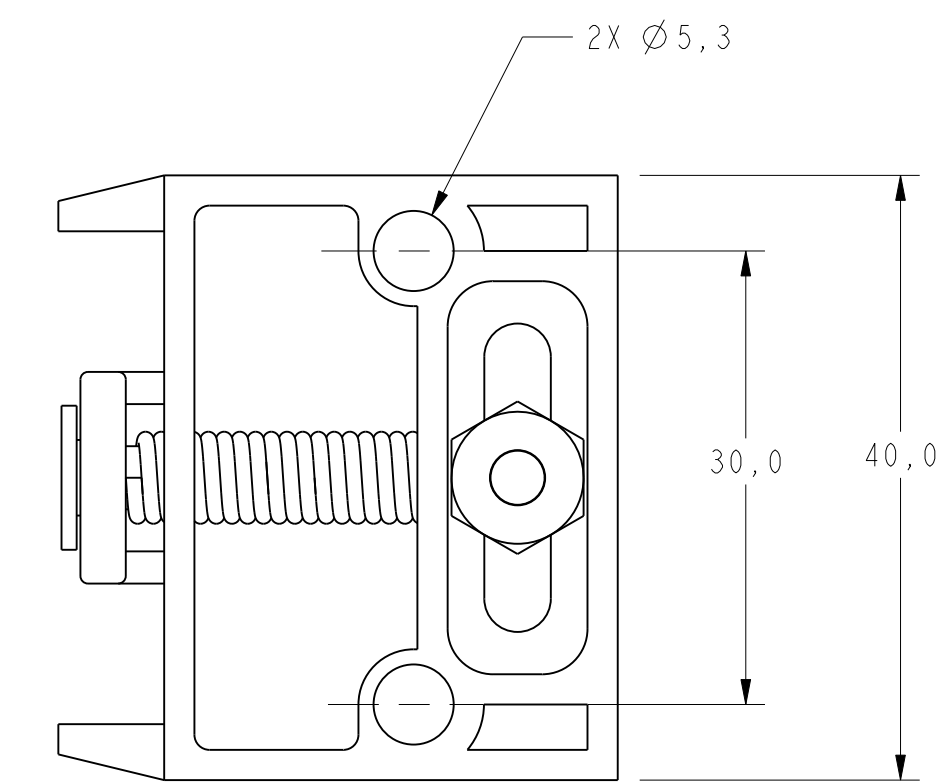
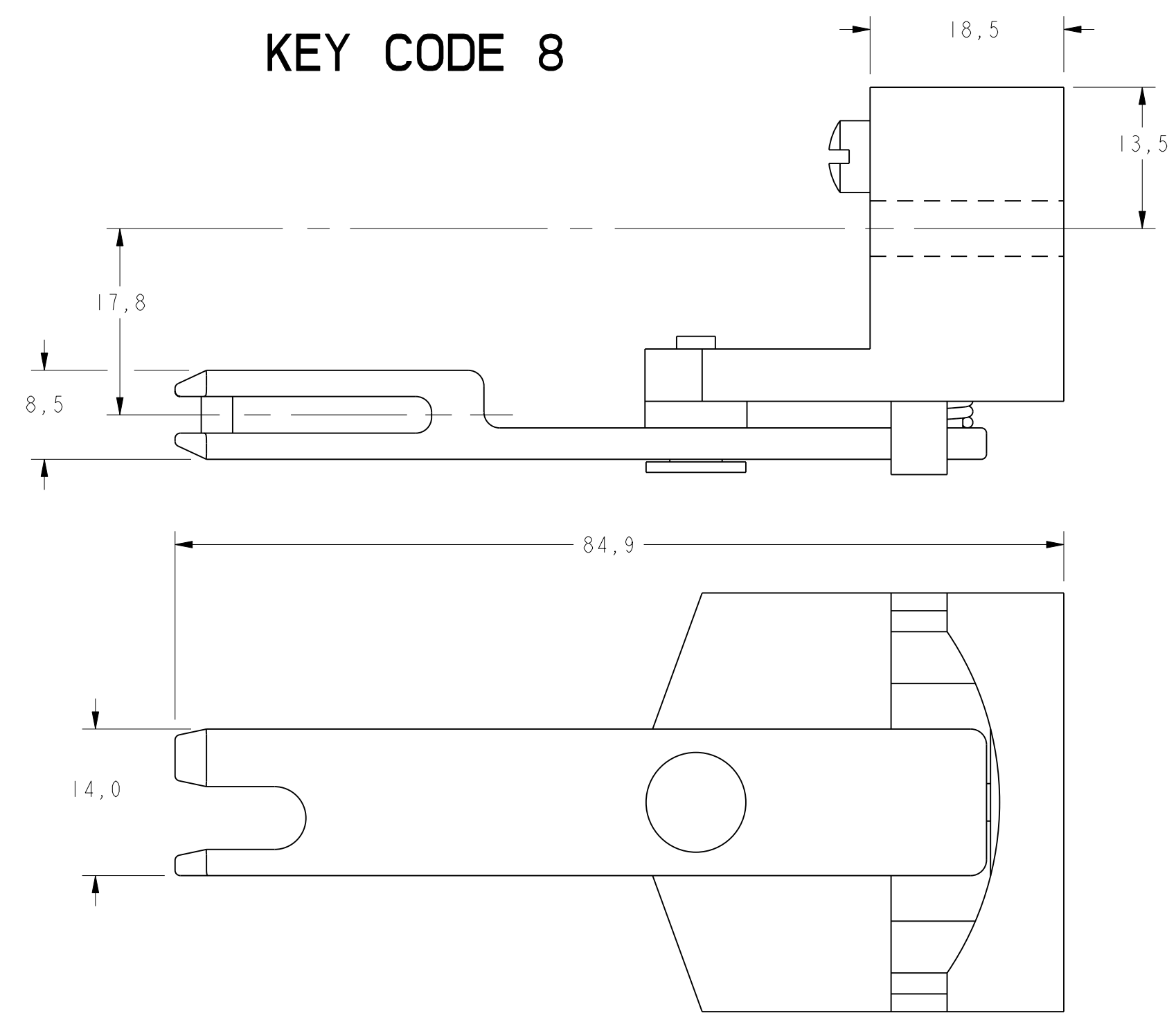
TOP KEY ENTRY



PTC/CAD 3D
DRAWN
MAM
LOC 98
CHECK
SAV
12MAY99
PRR
04FEB09
CHECK
52
ISSUE
DRAWING NUMBER
M GK SERIES CHART 4
PAGE 7 OF 16
RELEASE NO. PR-23758
REVISEMENTS
1 04/1983
2 05/1983
3 05/1983

THIS DRAWING COVERS A PROPRIETARY ITEM AND IS THE PROPERTY OF MICRO SWITCH, A DIVISION OF HONEYWELL. THIS DRAWING IS NOT TO BE COPIED OR USED WITHOUT THE APPROVAL OF MICRO SWITCH.		CATALOG LISTING	
FED. MFG. CODE 91929		SI METRIC	
MICRO SWITCH a Honeywell Division		SWITCH - DOOR INTERLOCK	
GK SERIES CHART 4		DESIGN UNITS <input checked="" type="checkbox"/> SI METRIC <input type="checkbox"/> US CUSTOMARY	
WEIGHT 1.5 KG / 3.3 LB		TOLERANCES APPLY TO DESIGN UNITS. CONVERSIONS ARE ONLY FOR REFERENCE, UNLESS NOTED. TOLERANCES ARE:	
NO PLACES	1X	TOL.	±
ONE PLACE	X.1X	1X	0.01, 0.05
TWO PLACES	X.1X	0.01, 0.05	0.01, 0.05
THREE PLACES	X.1X	0.01, 0.05	0.01, 0.05
ANGLES			

KEY CODE 8



TOP KEY ENTRY

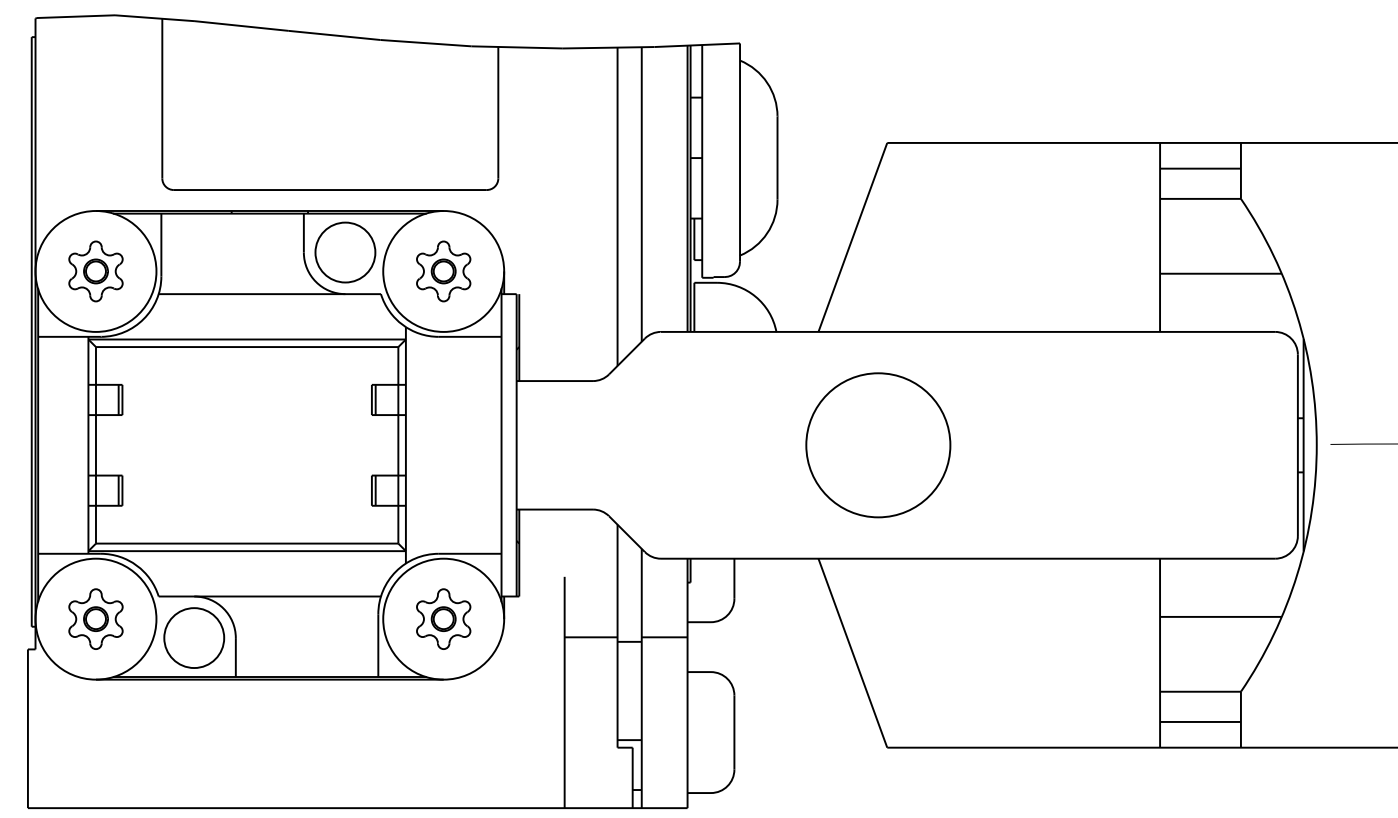
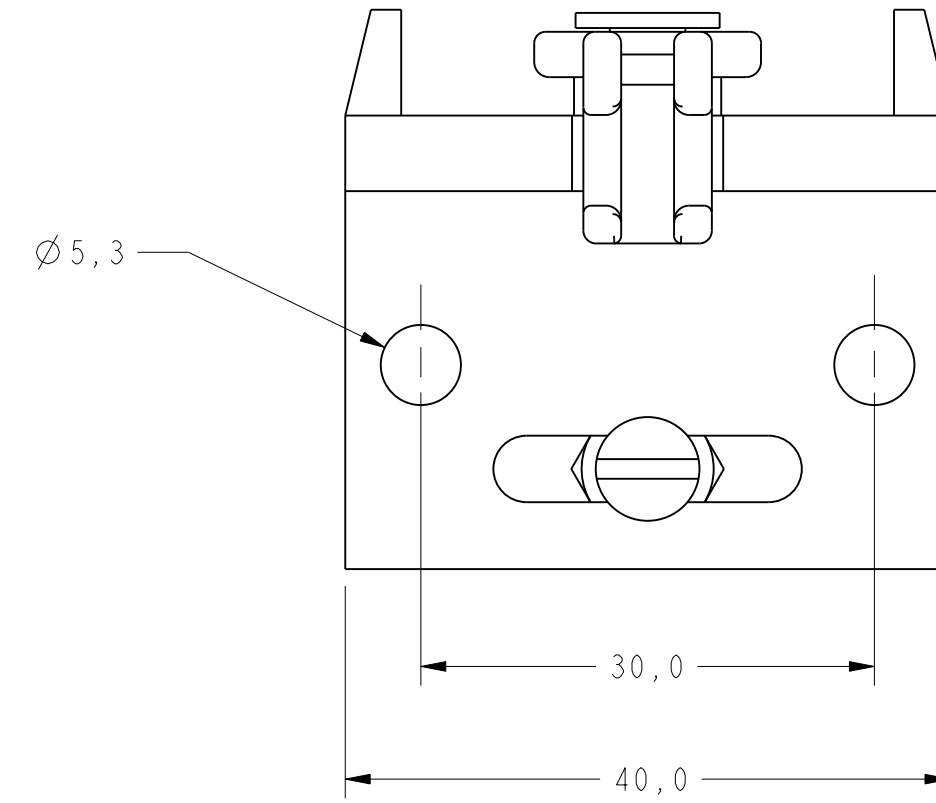
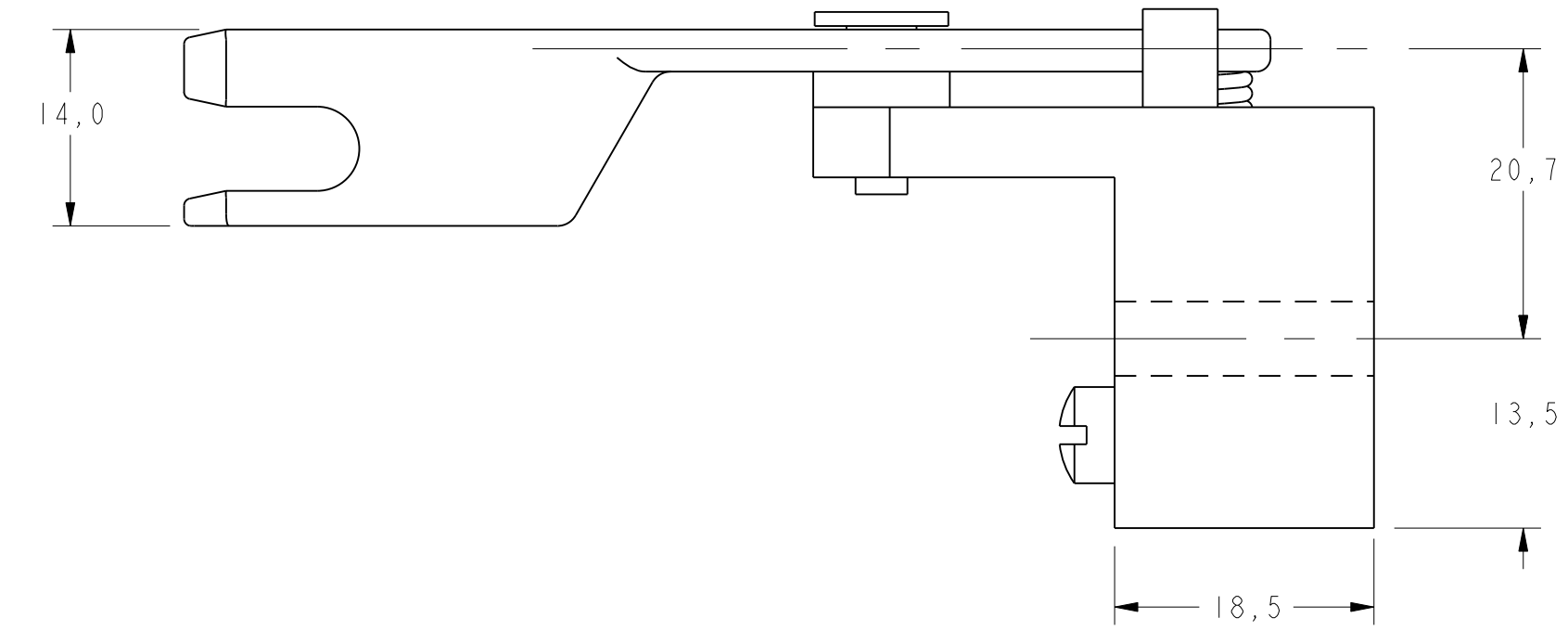
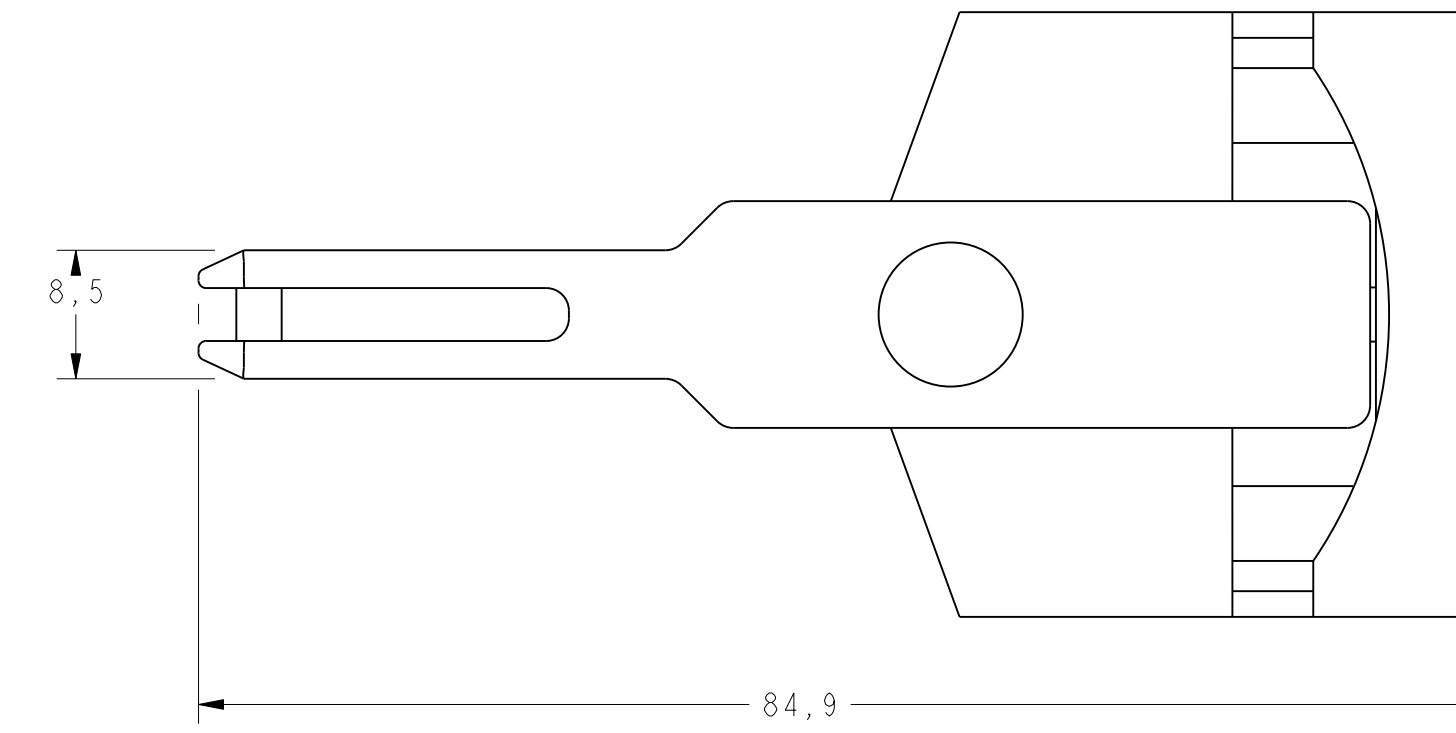
FRONT KEY ENTRY

THIS DRAWING COVERS A PROPRIETARY ITEM AND IS THE PROPERTY OF MICRO SWITCH, A DIVISION OF HONEYWELL. THIS DRAWING IS NOT TO BE COPIED OR USED WITHOUT THE APPROVAL OF MICRO SWITCH.
 FED. MFG. CODE 91929
MICRO SWITCH
 a Honeywell Division
 SWITCH - DOOR INTERLOCK
 CATALOG LISTING
GK SERIES CHART 4

THIRD ANGLE PROJECTION			
SCALE 2 : 1			
DO NOT SCALE PRINT			
TOLERANCES			
APPLY TO DESIGN UNITS. CONVERSIONS ARE ONLY FOR REFERENCE. UNLESS NOTED, TOLERANCES ARE:			
	SI	US	
NO PLACES	X	1/16	0.015
ONE PLACE	X,1	0.00125	0.00125
TWO PLACES	X,1X	0.000125	0.000125
THREE PLACES	X,1XX	0.0000125	0.0000125
ANGLES			
DESIGN UNITS	<input checked="" type="checkbox"/> SI METRIC	<input type="checkbox"/> US CUSTOMARY	
WEIGHT 1,5 KG / 3,3 LB			

PTC/CAD 3D
 DRAWN MAM
 CHECK LOC 98
 SAV 12MAY99
 PPS 04FEB09
 CHECK 04FEB09
 RELEASE NO. PR-23788
 REVISIONS
 52
 ISSUE
 DRAWING NUMBER
 M GK SERIES CHART 4
 PAGE 8 OF 16

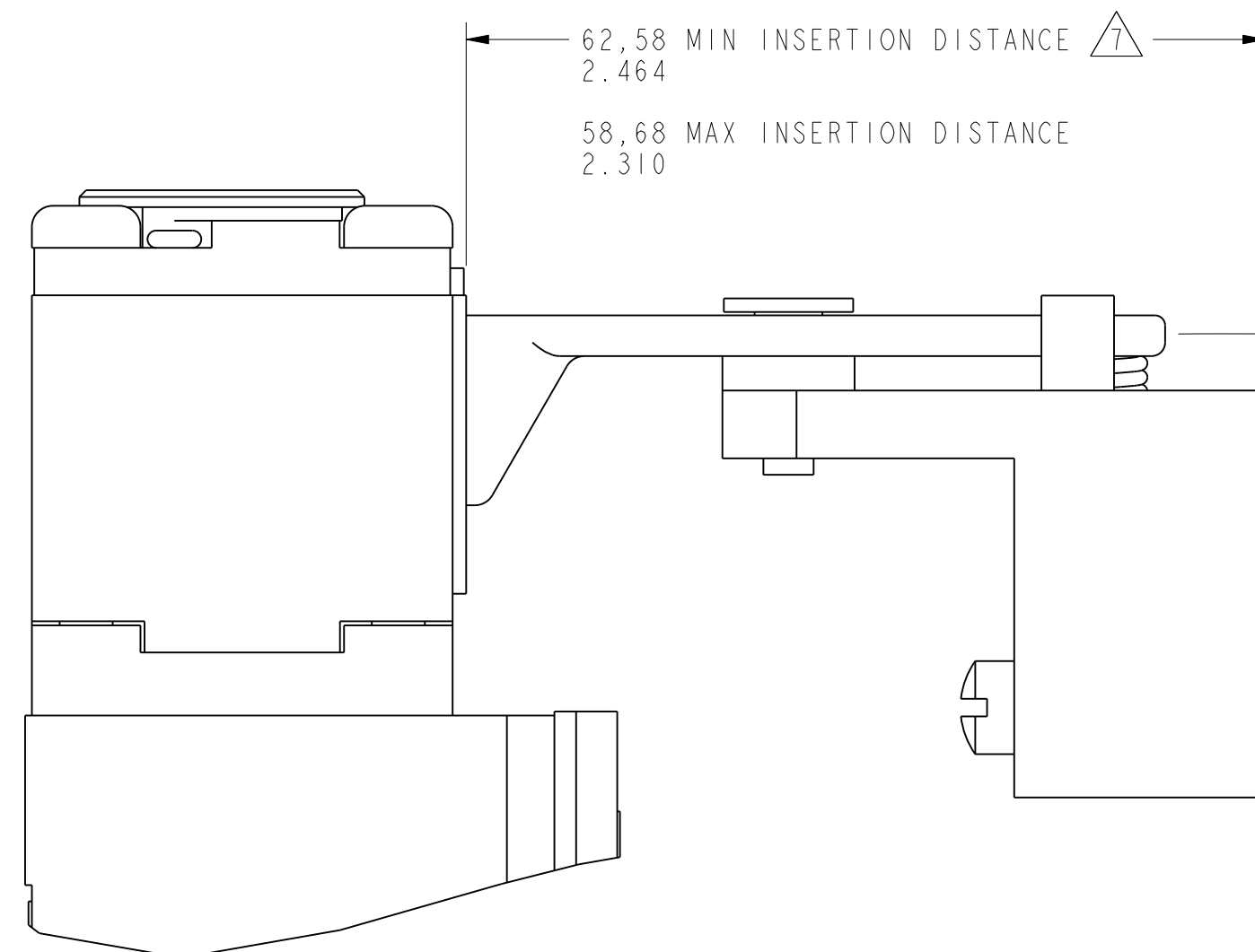
KEY CODE 9



R150,00 MIN DOOR RADIUS

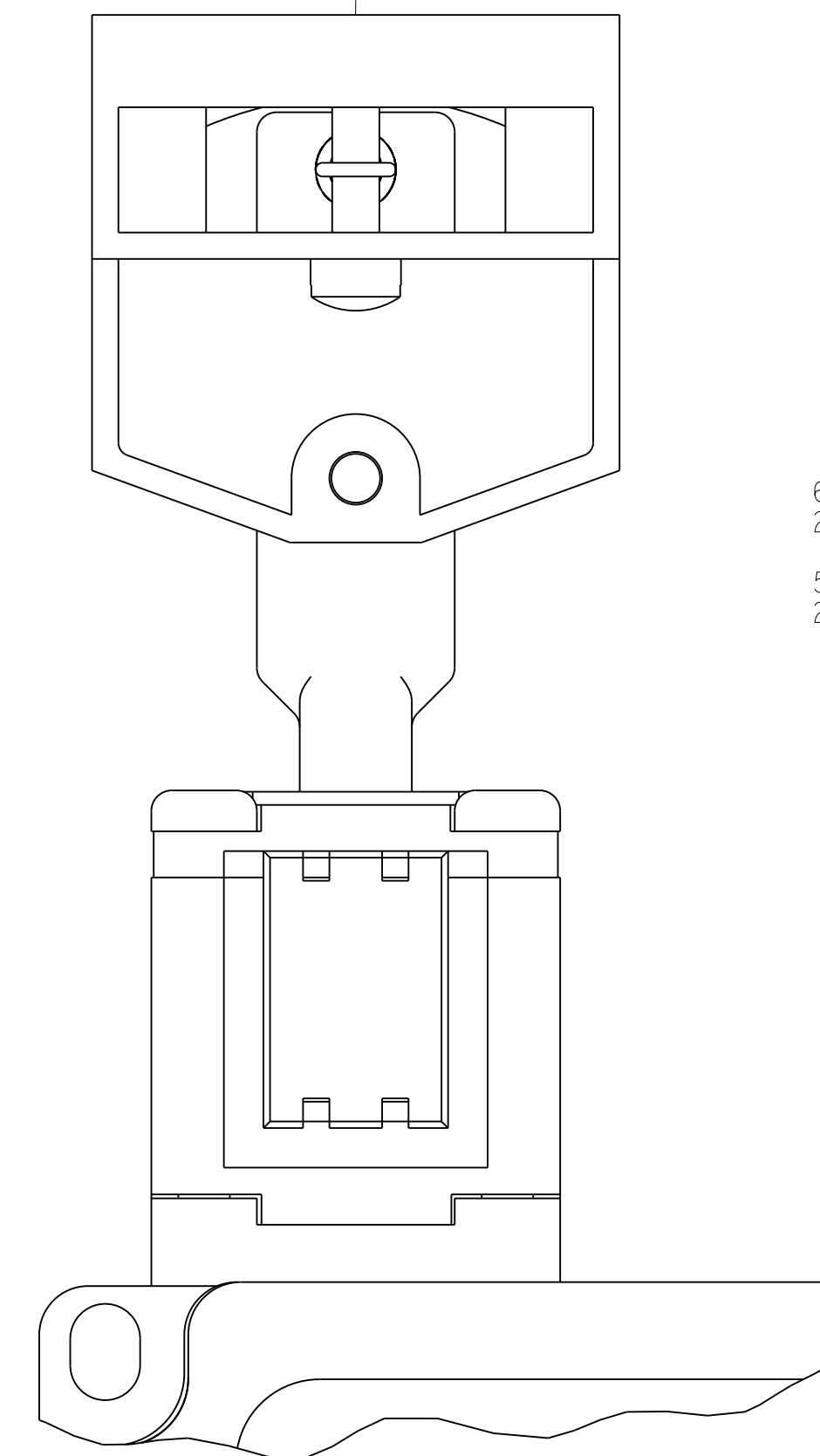
R150,00 MIN DOOR RADIUS

R250,00 MIN DOOR RADIUS

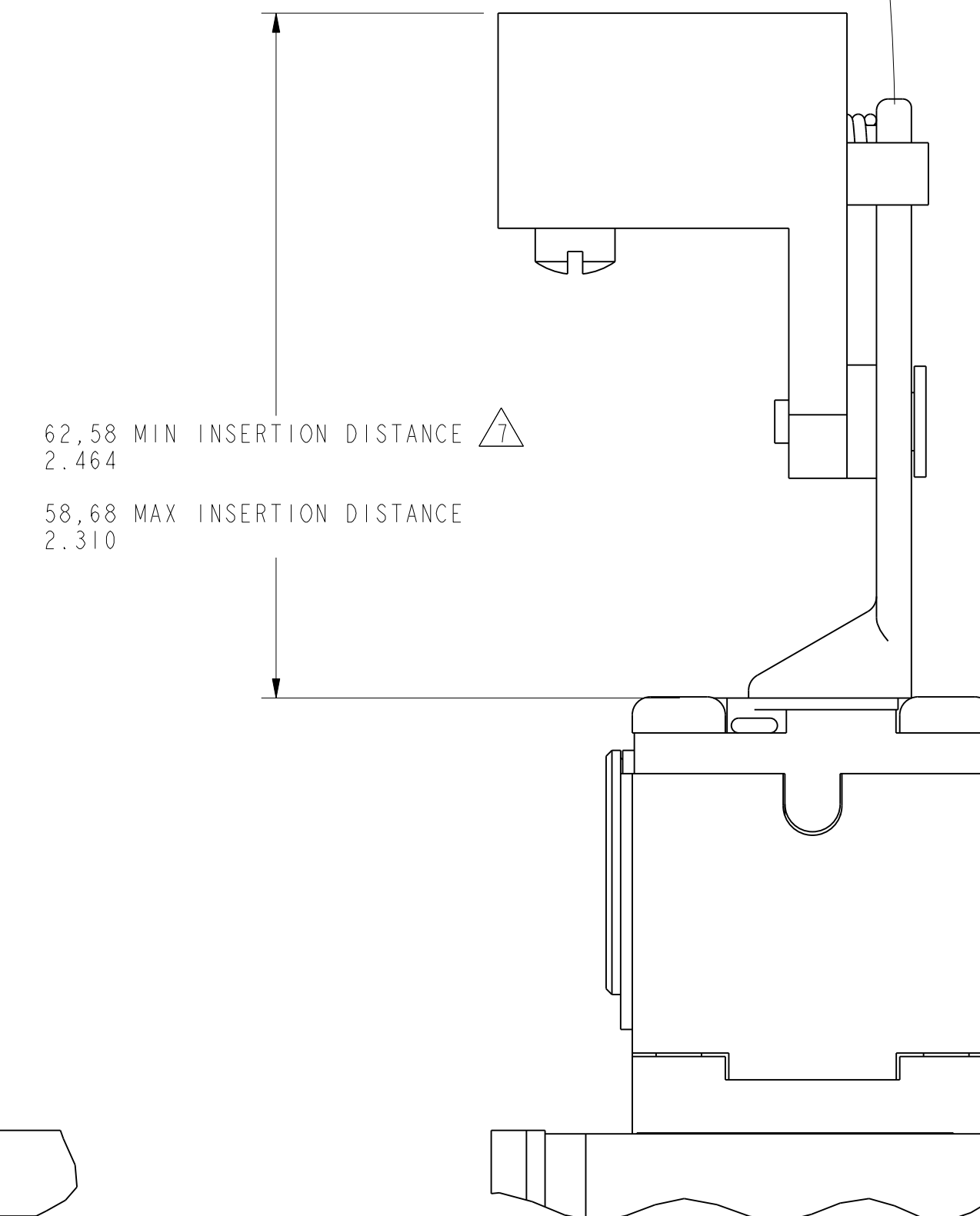


FRONT KEY ENTRY

R250,00 MIN DOOR RADIUS



TOP KEY ENTRY



THIS DRAWING COVERS A PROPRIETARY ITEM AND IS THE PROPERTY OF MICRO SWITCH, A DIVISION OF HONEYWELL. THIS DRAWING IS NOT TO BE COPIED OR USED WITHOUT THE APPROVAL OF MICRO SWITCH.

FED. MFG. CODE 91929 CATALOG LISTING

MICRO SWITCH
a Honeywell Division

SWITCH - DOOR INTERLOCK

GK SERIES CHART 4

NO PLACES	X	1/2	1/4	0.01	0.01	0.01	0.01
ONE PLACE	X,1X	0.01	0.01	0.01	0.01	0.01	0.01
TWO PLACES	X,1X	0.01	0.01	0.01	0.01	0.01	0.01
THREE PLACES	X,1X	0.01	0.01	0.01	0.01	0.01	0.01
ANGLES							

DESIGN UNITS: SI METRIC US CUSTOMARY

WEIGHT 1,5 KG / 3,3 LB

THIRD ANGLE PROJECTION

SCALE 2 : 1

DO NOT SCALE PRINT

TOLERANCES

APPLY TO DESIGN UNITS. CONVERSIONS ARE ONLY FOR REFERENCE, UNLESS NOTED. TOLERANCES ARE:

M GK SERIES CHART 4

PTC/CAD 3D
DRAWN
MAM LOC 98
CHECK
SAV
12MAY99
CHECK
PRS
04FEB09
CHECK
52
ISSUE
9 OF 16
RELEASE NO. PR-23788
REPLACES



BODY / INDICATOR CODES - L OR R
 TYPE / OVER-RIDE CODES - A OR B
 DIAGRAMS SHOWN WITH KEY INSERTED AND LOCKED

PTC/CAD 3D
 DRAWN MAM LOC 98
 CHECK SAV 12MAY99
 CHECK PRS 04FEB99
 CHECK
 RELEASE NO. PR-23788
 PAGE 10 OF 16
 DRAWING NUMBER
 ISSUE 52
 MICROVISIONS
 11/24/98
 350
 04FEB99

THIS DRAWING COVERS A PROPRIETARY ITEM AND IS THE PROPERTY OF MICRO SWITCH, A DIVISION OF HONEYWELL. THIS DRAWING IS NOT TO BE COPIED OR USED WITHOUT THE APPROVAL OF MICRO SWITCH. FED. MFG. CODE 91929		CATALOG LISTING	
MICRO SWITCH a Honeywell Division		SWITCH - DOOR INTERLOCK	
DESIGN UNITS <input checked="" type="checkbox"/> SI METRIC <input type="checkbox"/> US CUSTOMARY		GK SERIES CHART 4	
WEIGHT 1.5 KG / 3.3 LB		THIRD ANGLE PROJECTION SCALE NTS DO NOT SCALE PRINT TOLERANCES APPLY TO DESIGN UNITS. CONVERSIONS ARE ONLY FOR REFERENCE, UNLESS NOTED. TOLERANCES ARE:	
NO PLACES	1X	TOL.	±0.01
ONE PLACE	X.1X	±0.04	±0.01
TWO PLACES	X.1X	±0.01	±0.01
THREE PLACES	X.1X	±0.01	±0.01
ANGLES		±0.15	±0.15



BODY / INDICATOR CODES - F OR G
 TYPE / OVER-RIDE CODES - A OR B
 DIAGRAMS SHOWN WITH KEY INSERTED AND LOCKED

M GK SERIES CHART 4

PTC/CAD 3D
 DRAWN MAM LOC 98
 CHECK SAV 12MAY99
 PERS 04 FEB 09
 CHECK
 ISSUE 52
 DRAWING NUMBER 11 OF 16
 RELEASE NO. PR-23788
 REVISIONS
 M 04/1983
 S
 04/1989

THIS DRAWING COVERS A PROPRIETARY ITEM AND IS THE PROPERTY OF MICRO SWITCH, A DIVISION OF HONEYWELL. THIS DRAWING IS NOT TO BE COPIED OR USED WITHOUT THE APPROVAL OF MICRO SWITCH.

FED. MFG. CODE 91929

MICRO SWITCH
a Honeywell Division

CATALOG LISTING

SWITCH - DOOR INTERLOCK

GK SERIES CHART 4

THIRD ANGLE PROJECTION

SCALE NTS

DO NOT SCALE PRINT

TOLERANCES

APPLY TO DESIGN UNITS. CONVERSIONS ARE ONLY FOR REFERENCE, UNLESS NOTED. TOLERANCES ARE:

	DIM	TOL.	DIM	TOL.
NO PLACES	X	17.04	X	0.81/0.5
ONE PLACE	X.1	0.40/0.16	X.1X	0.38/0.15
TWO PLACES	X.1X	0.15/0.06	X.1X	0.13/0.05
THREE PLACES				
ANGLES				

DESIGN UNITS SI METRIC US CUSTOMARY

WEIGHT 1.5 KG / 3.3 LB



BODY / INDICATOR CODES - L OR R
 TYPE / OVER-RIDE CODES - S OR T
 DIAGRAMS SHOWN WITH KEY INSERTED AND LOCKED

PTC/CAD 3D
 DRAWN MAM LOC 98
 CHECKED DVM
 DATE 2/SEP/06
 CHECKED PRS
 DATE 04/FEB/09
 CHECKED
 RELEASE NO. PR-23788
 REVISIONS
 NO. 1
 DATE 04/FEB/09
 BY SPS
 DESCRIPTION
 52
 ISSUE
 DRAWING NUMBER
 PAGE 12 OF 16
 RELEASE NO. PR-23788
 REVISIONS
 NO. 1
 DATE 04/FEB/09
 BY SPS
 DESCRIPTION
 52
 ISSUE
 DRAWING NUMBER
 PAGE 12 OF 16
 RELEASE NO. PR-23788

THIS DRAWING COVERS A PROPRIETARY ITEM AND IS THE PROPERTY OF MICRO SWITCH, A DIVISION OF HONEYWELL. THIS DRAWING IS NOT TO BE COPIED OR USED WITHOUT THE APPROVAL OF MICRO SWITCH.		FED. MFG. CODE 91929		CATALOG LISTING	
MICRO SWITCH a Honeywell Division		SWITCH - DOOR INTERLOCK		GK SERIES CHART 4	
DESIGN UNITS <input checked="" type="checkbox"/> SI METRIC <input type="checkbox"/> US CUSTOMARY		WEIGHT 1.5 KG / 3.3 LB		THIRD ANGLE PROJECTION SCALE NTS DO NOT SCALE PRINT TOLERANCES APPLY TO DESIGN UNITS. CONVERSIONS ARE ONLY FOR REFERENCE, UNLESS NOTED. TOLERANCES ARE:	
NO PLACES	±0.04	±0.04	±0.04	±0.04	±0.04
TWO PLACES	±0.02	±0.02	±0.02	±0.02	±0.02
THREE PLACES	±0.01	±0.01	±0.01	±0.01	±0.01
ANGLES	±0.1	±0.1	±0.1	±0.1	±0.1



BODY / INDICATOR CODES - F OR G
 TYPE / OVER-RIDE CODES - S OR T
 DIAGRAMS SHOWN WITH KEY INSERTED AND LOCKED

PTC/CAD 3D
 DRAWN MAM
 CHECK LOC 98
 DATE 12MAY93
 PERS 04FEB93
 CHECK 35
 OFF 009
 52
 13 OF 16
 RELEASE NO. PR-23788
 REVISIONS
 1 04FEB93
 2 35
 3 04FEB93

THIS DRAWING COVERS A PROPRIETARY ITEM AND IS THE PROPERTY OF MICRO SWITCH, A DIVISION OF HONEYWELL. THIS DRAWING IS NOT TO BE COPIED OR USED WITHOUT THE APPROVAL OF MICRO SWITCH.		CATALOG LISTING	
FED. MFG. CODE 91929 MICRO SWITCH a Honeywell Division		SWITCH - DOOR INTERLOCK GK SERIES CHART 4	
DESIGN UNITS <input checked="" type="checkbox"/> SI METRIC <input type="checkbox"/> US CUSTOMARY <input type="checkbox"/>		WEIGHT 1.5 KG / 3.3 LB	

THIRD ANGLE PROJECTION
 SCALE NTS
 DO NOT SCALE PRINT
 TOLERANCES
 APPLY TO DESIGN UNITS. CONVERSIONS ARE ONLY FOR REFERENCE. UNLESS NOTED, TOLERANCES ARE:

	SI	US	SI	US
NO PLACES	X	12.04	F	0.01, 0.05
ONE PLACE	X, 1X	0.40, 0.06	F, 1X	0.30, 0.15
TWO PLACES	X, 1X	0.15, 0.06	F, 1X	0.15, 0.15
THREE PLACES	X, 1X		F, 1X	
ANGLES				

MODIFICATION CODE: F05

CATALOG LISTING
GK SERIES CHART 4

PAGE 14 OF 16

REPLACES -

RELEASE NO. PR-24370

ISSUE
52

CHECK

REVISIONS

N 0047583

SSK 04FEB09

04FEB09

CHECK

PRS

CHECK

9 DEC 99

CHECK

JAF

CHECK

9 DEC 99

CHECK

LJK

CHECK

9 DEC 99

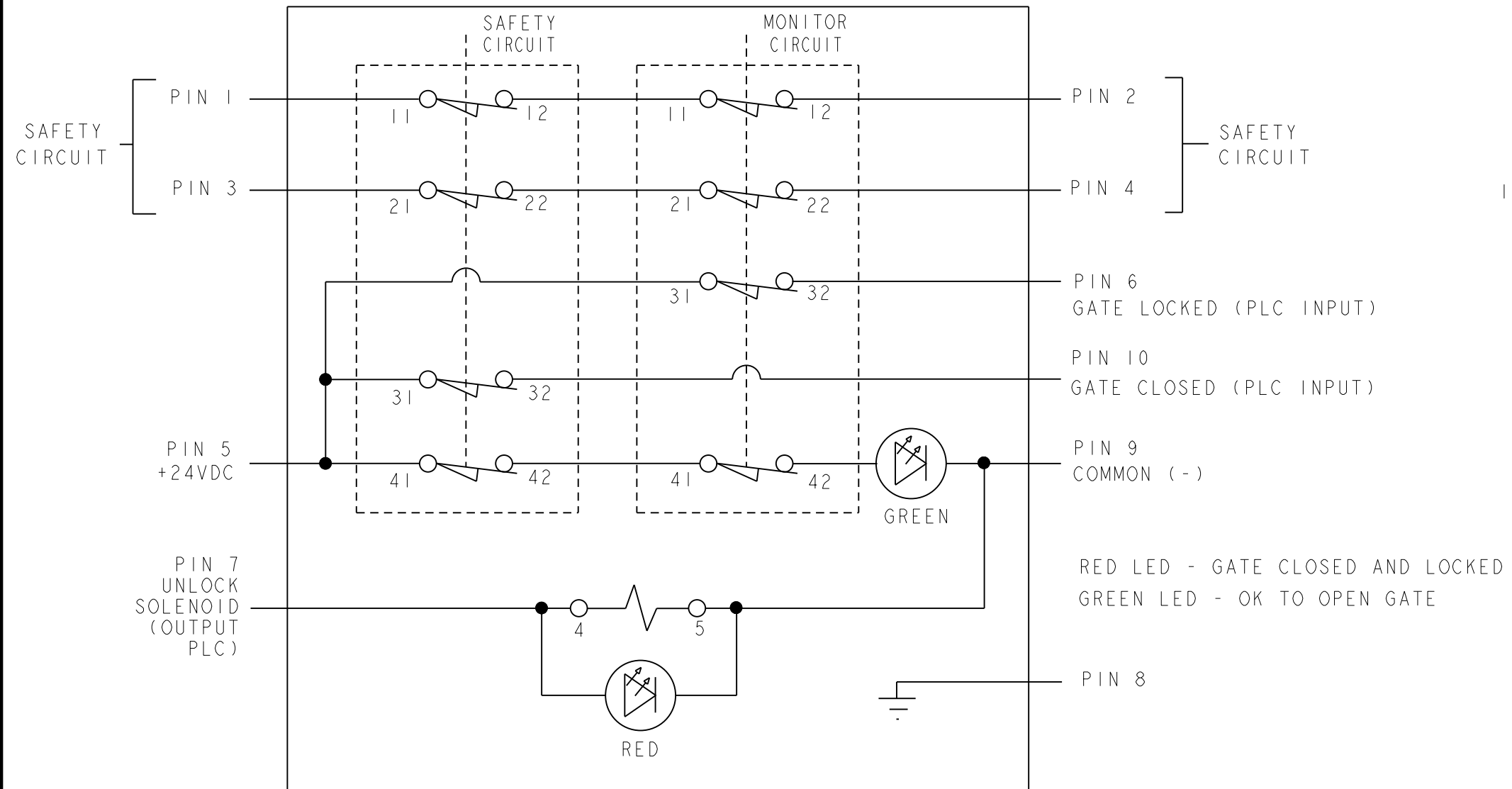
CHECK

PTC/CAD 3D

DRAWN

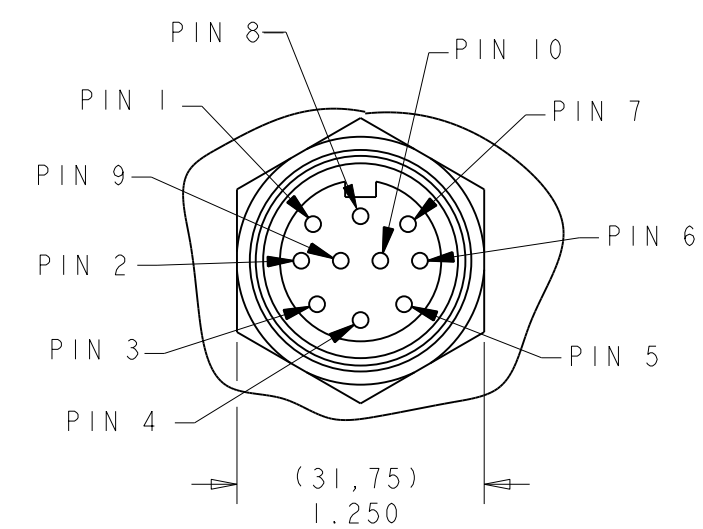
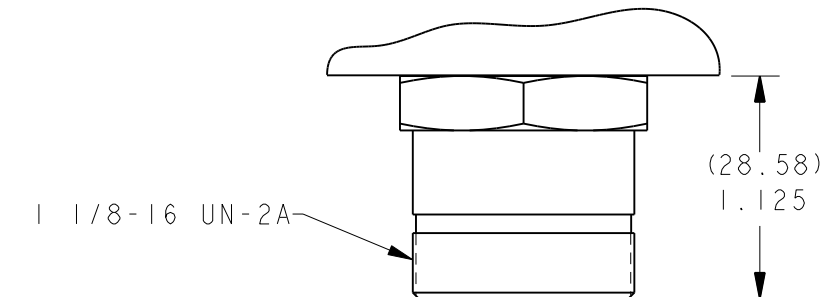
LJK

ANSI Y14.5M-1982 APPLIES



SWITCH DIAGRAM STATE IS CLOSED AND LOCKED

- PIN 2 SAFETY CIRCUIT
- PIN 4 SAFETY CIRCUIT
- PIN 6 GATE LOCKED (PLC INPUT)
- PIN 10 GATE CLOSED (PLC INPUT)
- PIN 9 COMMON (-)
- RED LED - GATE CLOSED AND LOCKED
- GREEN LED - OK TO OPEN GATE
- PIN 8

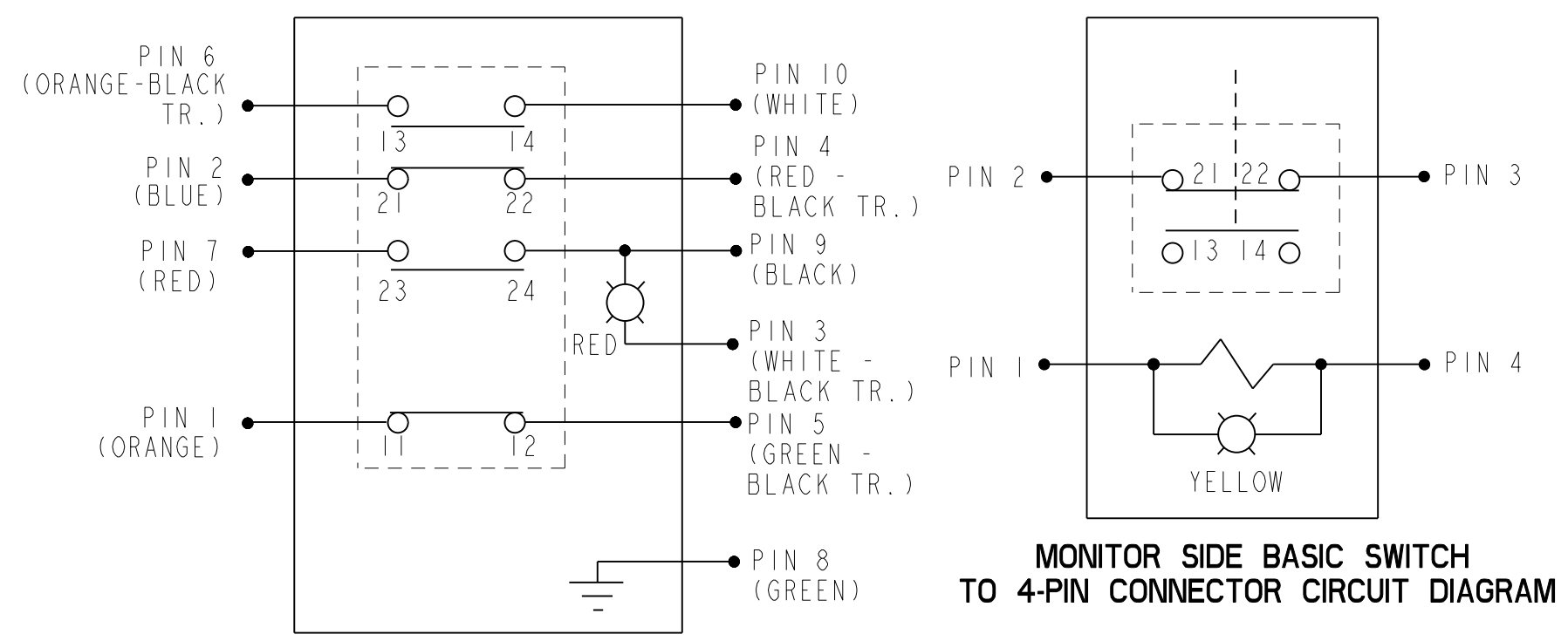


300V 7A
BRAD-HARRISON PART NO. 3R1006A21F010
OR EQUIVALENT

THIRD ANGLE PROJECTION			
SCALE		NTS	
DO NOT SCALE PRINT			
TOLERANCES			
APPLY TO DESIGN UNITS. CONVERSIONS ARE ONLY FOR REFERENCE. UNLESS NOTED, TOLERANCES ARE:			
DIM.	TOL.	DIM.	TOL.
mm	mm/in	in	mm/in
NO PLACES	X	1/04	X.X 0.8/03
ONE PLACE	X.X	0.1/016	X.XX 0.38/015
TWO PLACES	X.XX	0.15/006	X.XXX 0.13/005
THREE PLACES	X.XXX		
ANGLES			
SI METRIC		US CUSTOMARY	
DESIGN UNITS	<input checked="" type="checkbox"/>	<input type="checkbox"/>	
WEIGHT 2,3 kg / 5 LB MAX			

MODIFICATION CODE: -FW

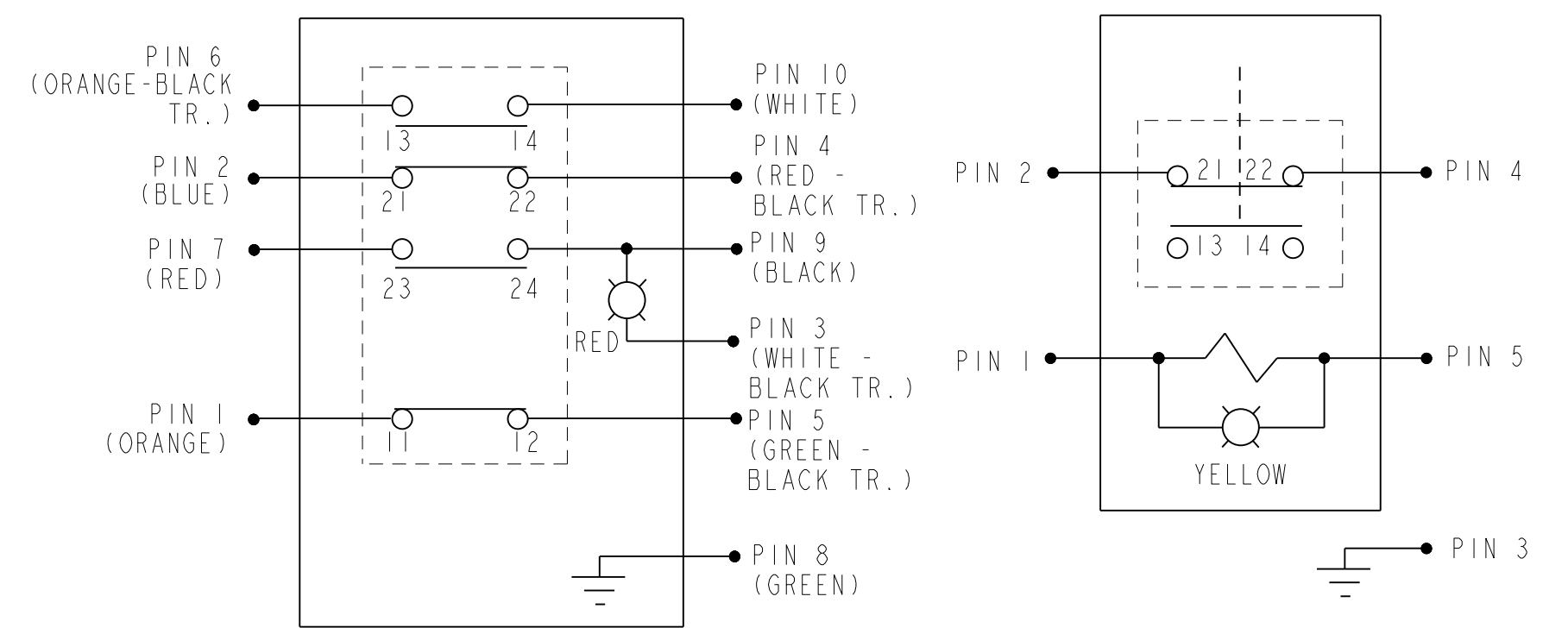
DC SOLENOID VOLTAGE DEVICES



GATE SIDE BASIC SWITCH TO 10-PIN CONNECTOR CIRCUIT DIAGRAM

MONITOR SIDE BASIC SWITCH TO 4-PIN CONNECTOR CIRCUIT DIAGRAM

AC SOLENOID VOLTAGE DEVICES

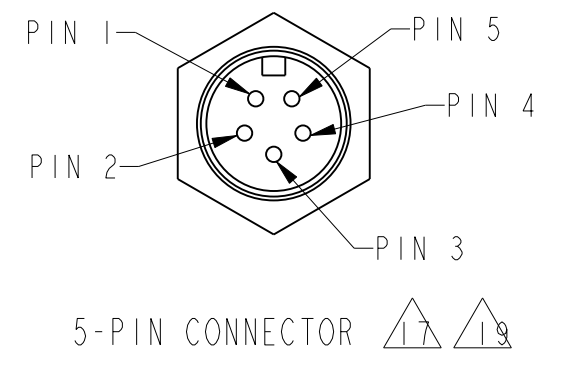
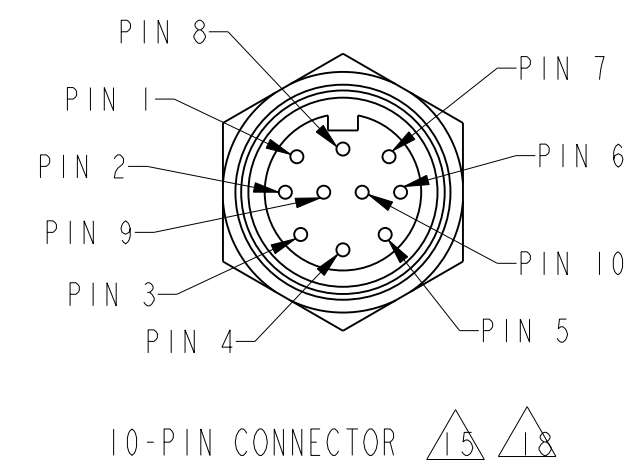
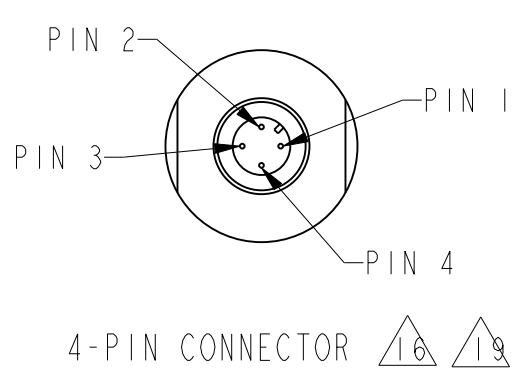
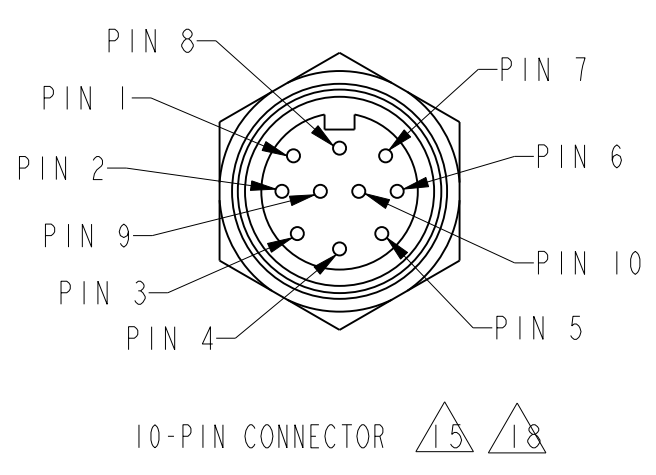


GATE SIDE BASIC SWITCH TO 10-PIN CONNECTOR CIRCUIT DIAGRAM

MONITOR SIDE BASIC SWITCH TO 5-PIN CONNECTOR CIRCUIT DIAGRAM

DIAGRAMS SHOWN WITH KEY INSERTED AND LOCKED

DIAGRAMS SHOWN WITH KEY INSERTED AND LOCKED



THIRD ANGLE PROJECTION			
SCALE NTS			
DO NOT SCALE PRINT			
TOLERANCES			
APPLY TO DESIGN UNITS. CONVERSIONS ARE ONLY FOR REFERENCE. UNLESS NOTED, TOLERANCES ARE:			
DIM.	TOL.	DIM.	TOL.
NO PLACES	mm	mm	mm
ONE PLACE	0.1	0.04	0.01
TWO PLACES	0.01	0.01	0.01
THREE PLACES	0.001	0.001	0.001
ANGLES			
DESIGN UNITS		DESIGN UNITS	
METRIC		CUSTOMARY	
WEIGHT 2,3 kg / 5 LB MAX			

THIS DRAWING COVERS A PROPRIETARY ITEM AND IS THE PROPERTY OF MICRO SWITCH, A DIVISION OF HONEYWELL. THIS DRAWING IS NOT TO BE COPIED OR USED WITHOUT THE APPROVAL OF MICRO SWITCH.

MICRO SWITCH
a Honeywell Division

SWITCH - DOOR INTERLOCK

CATALOG LISTING
MGK SERIES CHART 4

ANSI Y14.5M-1982 APPLIES

FED. MFG. CODE 91929

MGK SERIES CHART 4
 DRAWING NUMBER
 ISSUE 52
 PTC/CAD 3D
 DRAWN
 GRT
 18 JAN 00
 CHECK
 SAV
 18 JAN 00
 CHECK
 PRS
 04 FEB 09
 CHECK
 04 FEB 09
 REVISIONS
 N 0047583
 SSS 04 FEB 09
 RELEASE NO. PR-24370
 PAGE 15 OF 16
 REPLACES -

MODIFICATION CODE: F04

CATALOG LISTING
GK SERIES CHART 4

PAGE 16 OF 16

ISSUE
52

REVISIONS

N 0047583
SSK
04FEB09

CHECK

PRR 04FEB09

CHECK

17DEC04

AK

CHECK

17DEC04

DRAWN

RS

PTC/CAD 3D

REPLACES -

CHECK

17DEC04

AK

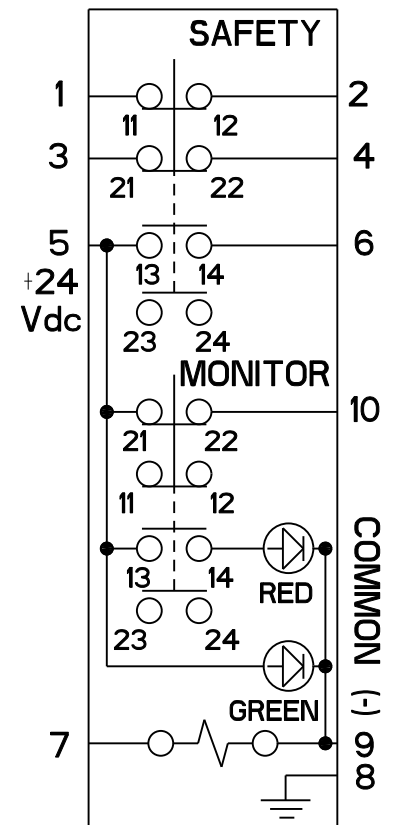
CHECK

17DEC04

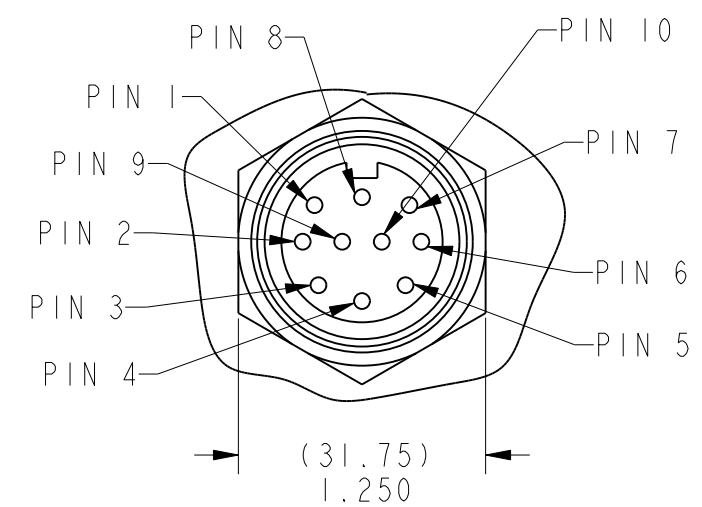
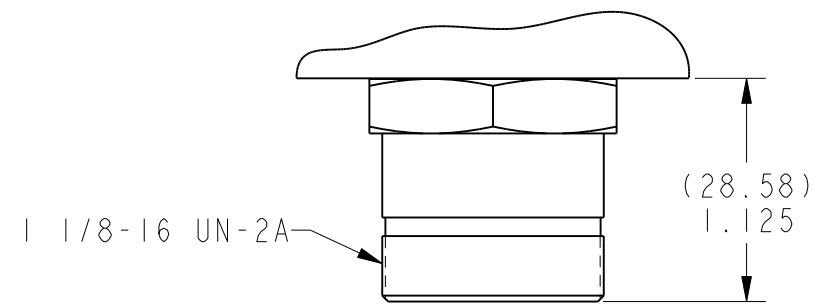
DRAWN

RS

PTC/CAD 3D



SWITCH DIAGRAM STATE IS CLOSED AND LOCKED



300V 7A
BRAD-HARRISON PART NO. 3R1006A21F010
OR EQUIVALENT

THIRD ANGLE PROJECTION			
SCALE NTS			
DO NOT SCALE PRINT			
TOLERANCES			
APPLY TO DESIGN UNITS. CONVERSIONS ARE ONLY FOR REFERENCE. UNLESS NOTED, TOLERANCES ARE:			
DIM.	TOL.	DIM.	TOL.
mm	mm/in	in	mm/in
NO PLACES	X	1/04	X.X 0.8/.03
ONE PLACE	X.X	0.07/016	X.XX 0.38/.015
TWO PLACES	X.XX	0.15/.006	X.XXX 0.13/.005
THREE PLACES	X.XXX		
ANGLES			
SI METRIC		US CUSTOMARY	
DESIGN UNITS			
WEIGHT 2,3 kg / 5 LB MAX			