

EXPLOSION-PROOF SINGLE POLE CABLE PULL NOMENCLATURE

CLSX - - - -

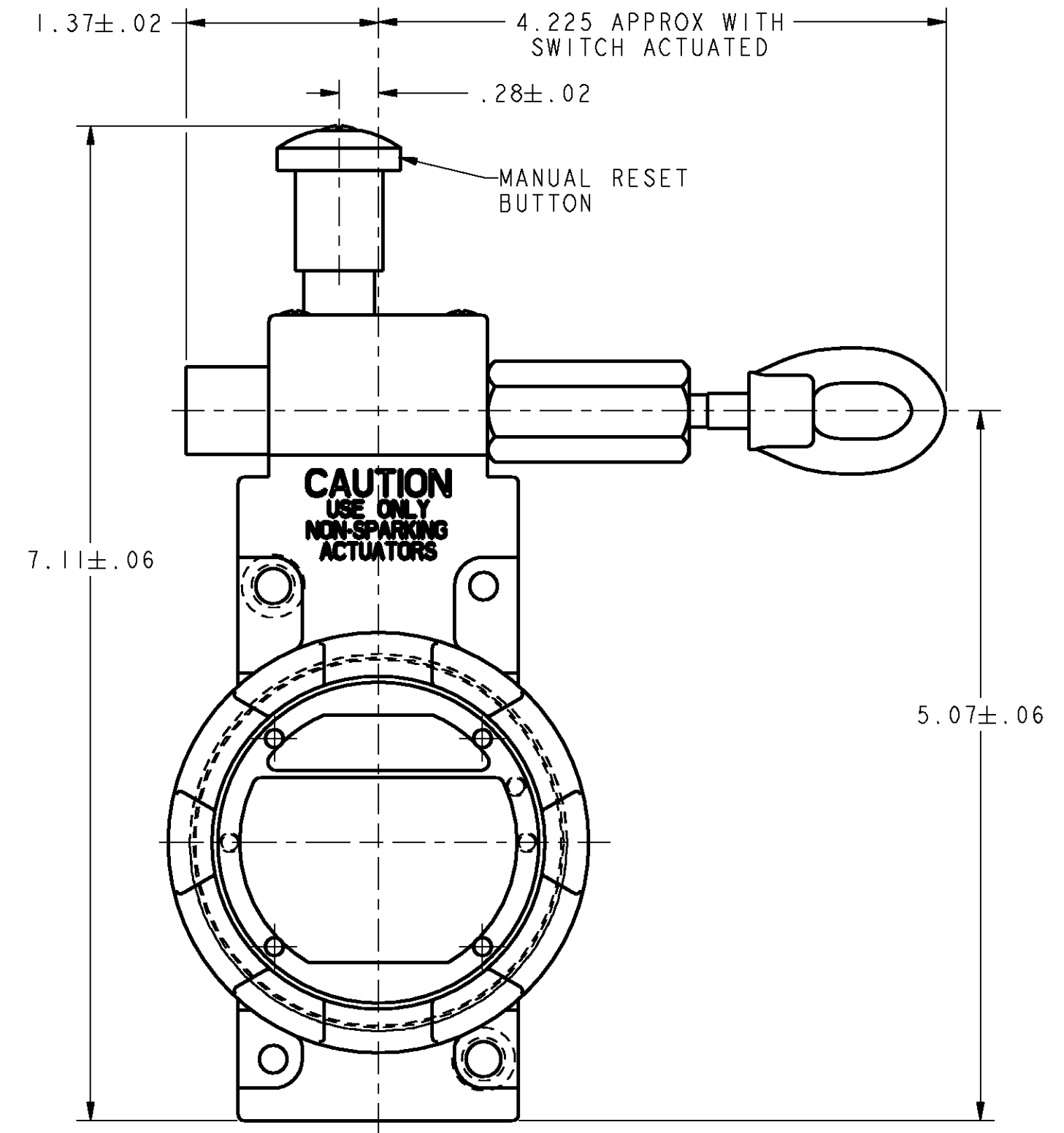
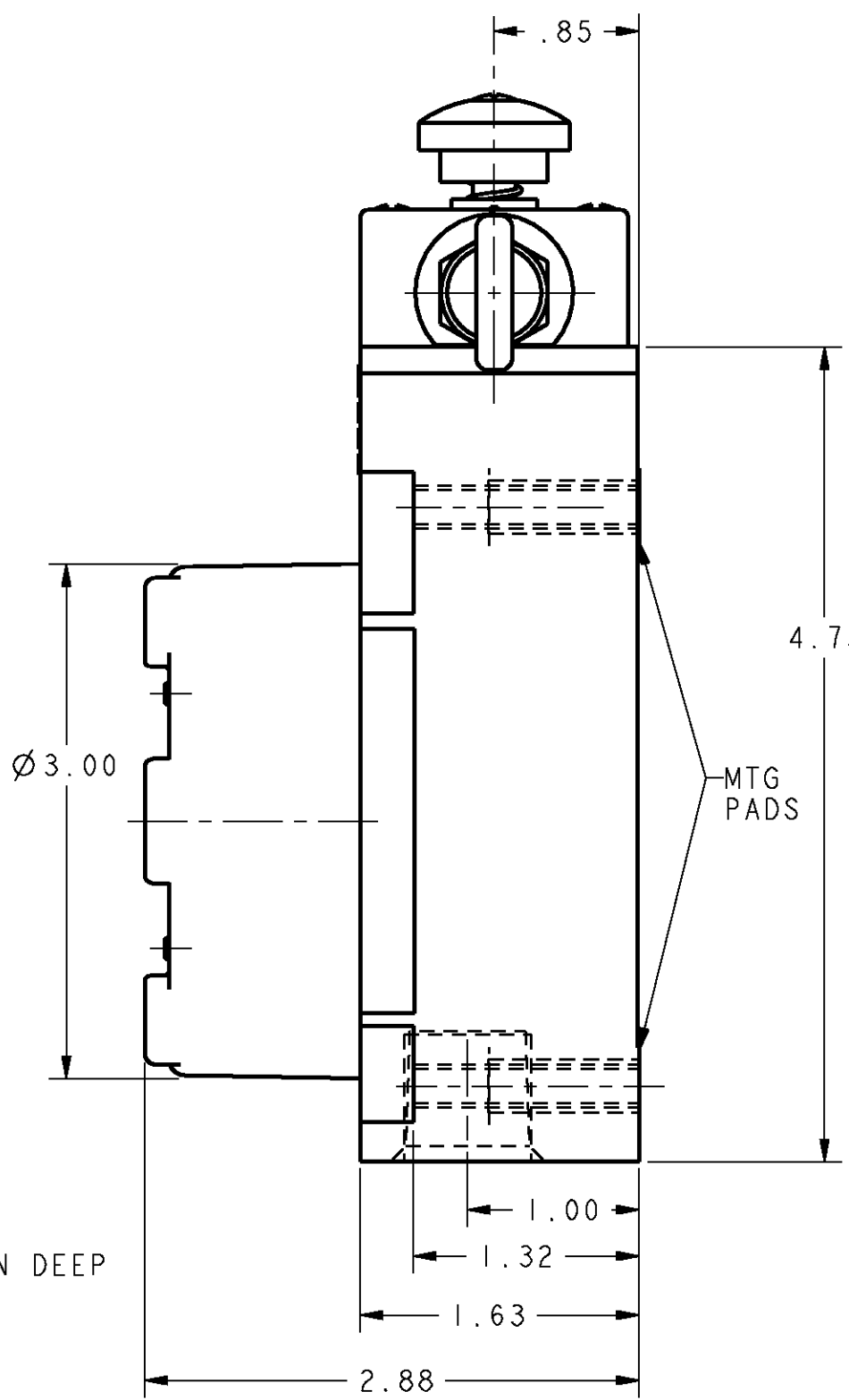
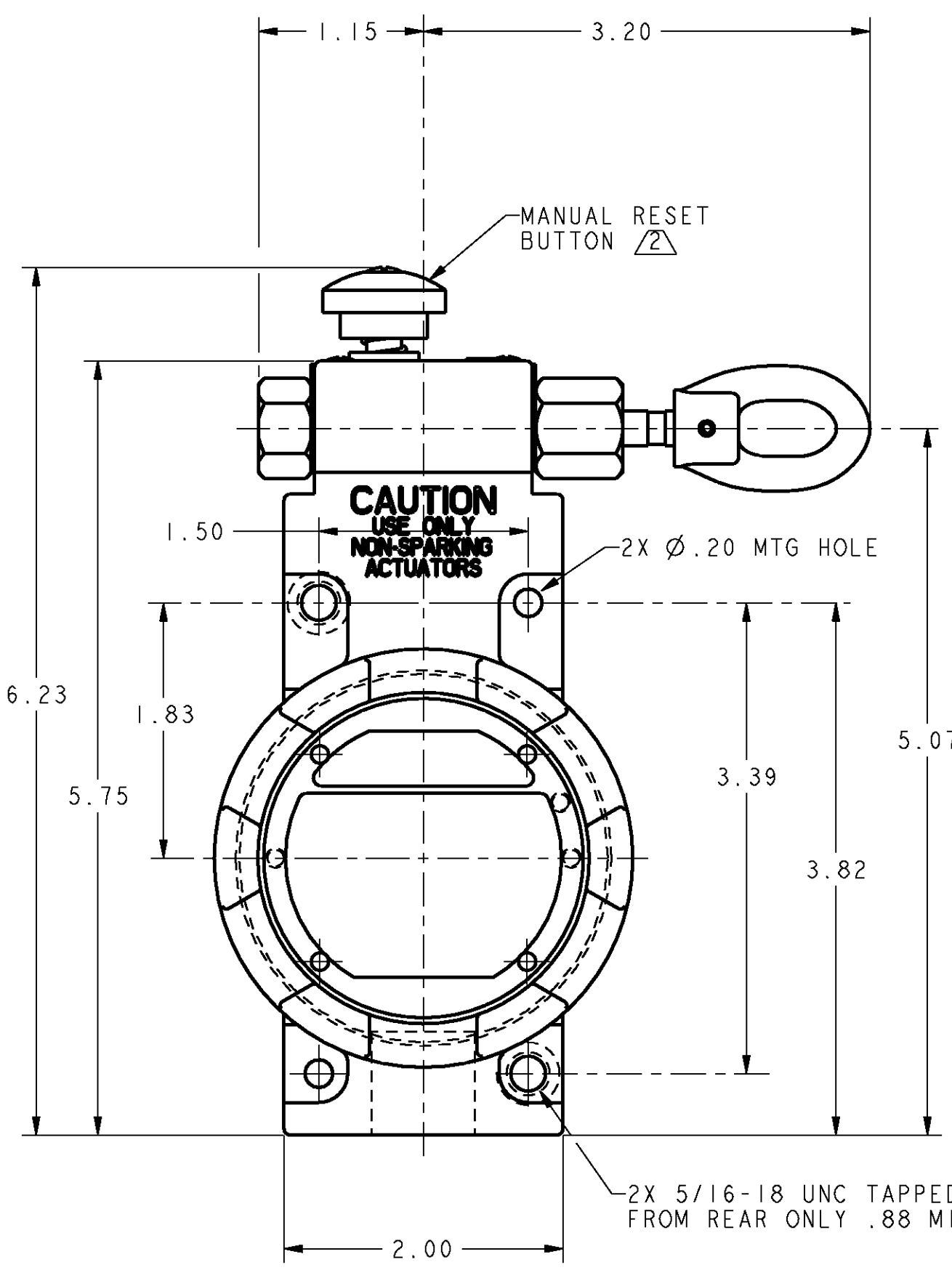
BODY CODE	
B	BLUE BODY - 1/2 NPT
E	BLUE BODY - 3/4 NPT

BASIC SWITCH CODE	
1	INC DIRECT ACTING (HDLS)
2	1NO-1NC SNAP ACTION (HDLS - NON-SAFETY APPLICATION, BLUE BODY ONLY)
4	1NO-1NC DIRECT ACTING (SPEC. GLS)
8	2NC DIRECT ACTING
9	SPECIAL BASIC - SEE LETTERED MODIFICATION CODE

OPERATING HEAD CODE	
A	"MAINTAINED"
B	"MOMENTARY"
N	"MOMENTARY" W/O BROKEN CABLE DETECTION
T	"MAINTAINED" SNAP ACTION

MODIFICATION CODE *	
B	1NO-3NC SLOW ACTING
E	2NO-2NC SLOW ACTING
F	1NO-3NC SLOW ACTING GOLD PLATED
1	HEAD ASSEMBLED WITH ACTUATOR TO LEFT
2	HEAD ASSEMBLED WITH ACTUATOR TO FRONT
3	HEAD ASSEMBLED WITH ACTUATOR TO REAR

* LETTERED MODIFICATION CODES TO PRECEDE NUMBERED CODES



WITH OPERATING HEAD CODES "A", "B", & "N"

WITH OPERATING HEAD CODE "T"

NOTE
 1 - ALL DIMENSIONS ARE REFERENCE ONLY
 2 - MANUAL RESET BUTTON NOT PRESENT ON OPERATING HEAD CODE "B"
 3 - NOMENCLATURE IS PROVIDED FOR IDENTIFICATION OF EXISTING LISTINGS. NOT ALL COMBINATIONS ARE POSSIBLE

THIS DRAWING COVERS A PROPRIETARY ITEM AND IS THE PROPERTY OF MICRO SWITCH, A DIVISION OF HONEYWELL. THIS DRAWING IS NOT TO BE COPIED OR USED WITHOUT THE APPROVAL OF MICRO SWITCH.		
MICRO SWITCH a Honeywell Division	SWITCH - ENCLOSED	CATALOG LISTING CLSX SERIES CHART 1
FED. MFG. CODE 91929		

THIRD ANGLE PROJECTION		
SCALE FULL		
DO NOT SCALE PRINT		
UNLESS OTHERWISE SPECIFIED TOLERANCES ARE		
ONE PLACE	(.0)	±.030
TWO PLACES	(.00)	±.015
THREE PLACES	(.000)	±.005
ANGLES		±
WEIGHT		

CLSX SERIES CHART 1
 DRAWING NUMBER
 ISSUE 5
 REVISIONS
 A CO-95127
 JUL 99
 B 203734
 AUG 01
 C 204458
 4DEC01
 D 205491
 1MAY02
 P.T.C./CAD
 DRAWN
 GLH
 30 SEP 96
 CHECK