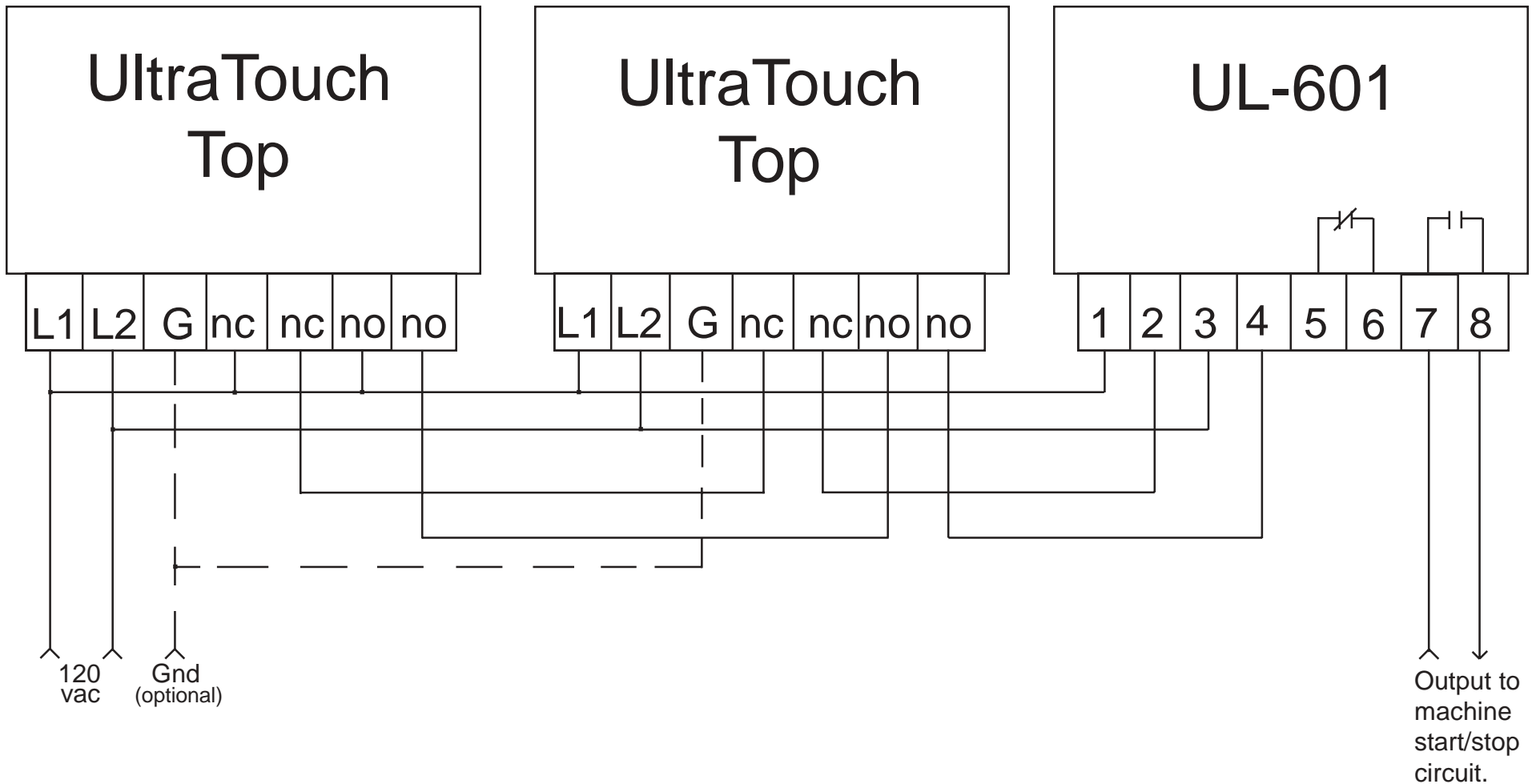


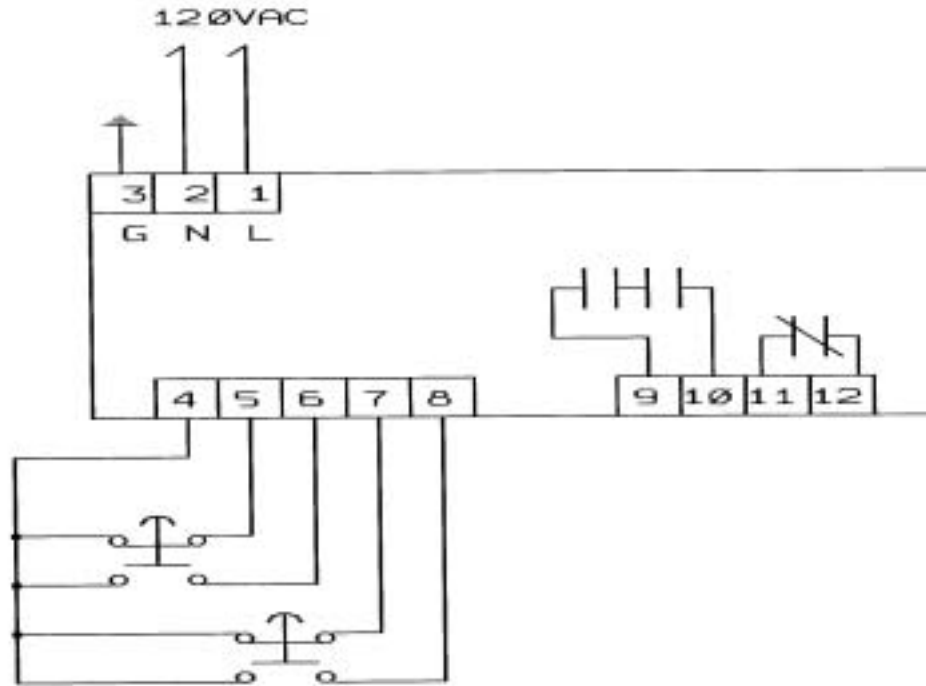
Pinnacle Systems, Inc.

Anti-tiedown wiring



UltraTouch®

Model:
UL-601 (Rev. 2)
Anti-Tie Down
Concurrent Operation Module



PINNACLE SYSTEMS	
TYPE	ANTI-TIE-DOWN
Equipment Number	60015
REV	A
Date	July 12, 2005

PINNACLE
SYSTEMS, INC.

3715 Swenson Avenue
St. Charles, IL 60174

Customer Service: 630-443-8542 (CST)

(Please have Model, Serial, and Software Revision numbers available)

Sales and Marketing: 800-569-7697 (EST)

www.pinnaclesystems.com
sales@pinnaclesystems.com
service@pinnaclesystems.com